

Stabilized & Non-Stabilized

SZ SERIES



Stabilized Connectors

Note: Shown with flange adaptor for round installations.



Non-stabilized Connector

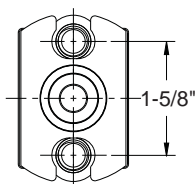
- Slotted bolt holes allow for 2-1/8" and 2-1/4" bolt spacings
- Designed to reinforce the entire installation by shifting radial-stress load away from the NPT connections
- Available in 3-3/8" and 5" lengths
- Optional dielectric barrier creates a non-conductive shield between the instrument and the orifice fitting

SPECIFICATIONS

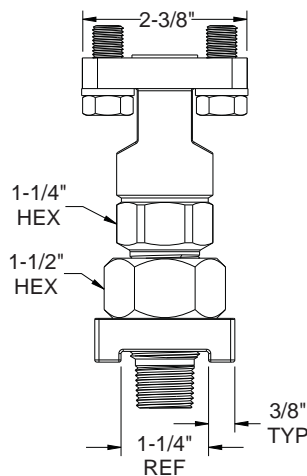
Materials	Zinc-nickel plated carbon steel, 316 stainless steel
Bolts	Carbon Steel
Connection	1/2" NPT-flange
Pressure rating	10,000 psi at 200 °F
Orifice	0.375"
Weight	Approximately 3.3 lb. (Short stabilized) Approximately 4.5 lb. (Long stabilized) Approximately 2.9 lb. (Non-stabilized)

Long Stabilized Connector

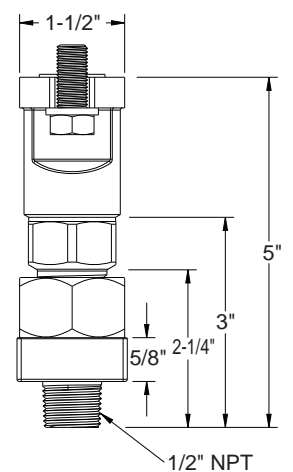
Top View



Front View



Side View



ORDERING INFORMATION			
SERIES	SZ	Connector	
MATERIALS	C	Steel	S Stainless steel
CONNECTOR TYPES	1	Short stabilized pair*	4 Long stabilized pair with flange adaptor**
	2	Short stabilized pair, with flange adaptor**	5 Non-stabilized pair
	3	Long stabilized pair*	
OPTIONS†	DK1	One Piece Dielectric Gasket, Pair	DK2 PTFE Gasket with Dielectric Shim, Pair
	DK1-SS	One Piece Dielectric Gasket, Pair w/SS Bolts	DK2-SS PTFE Gasket with Dielectric Shim, Pair w/SS Bolts

Please consult your local NOSHOK Distributor or NOSHOK, Inc. for availability and delivery information.

† For more information on Dielectric Kits, see page 140

* For flat installations (orifice fitting)

** For round installations (orifice flange)

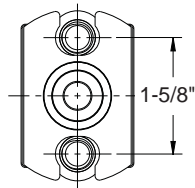
EXAMPLE

Series.....Connector
 Material.....Steel
 Connector type.....Short stabilized pair
 Option.....One piece Dielectric gasket, pair

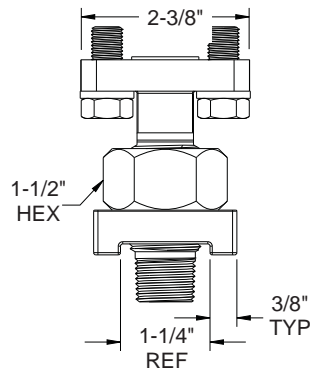
SZC1 - DK1

Short Stabilized Connector

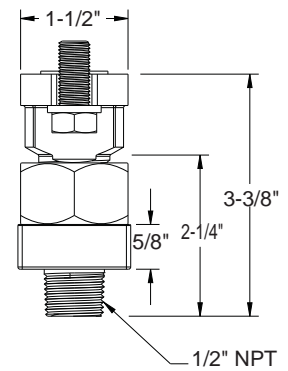
Top View



Front View

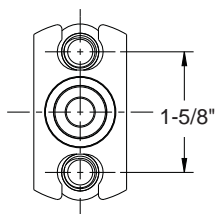


Side View

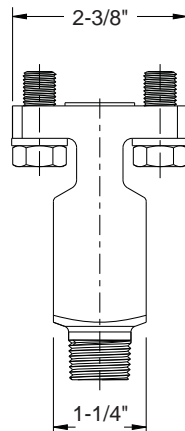


Non-Stabilized Connector

Top View



Front View



Side View

