

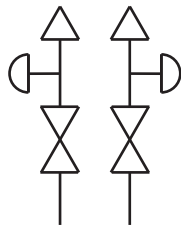
Large Bore, Angle (0.375" Orifice)

2530 SERIES



- Designed for use with differential pressure transmitters incorporating two isolation valves in natural gas applications
- Non-rotating stem tip standard on large bore isolation valves
- 100% helium leak tested to 1×10^{-4} ml/s for guaranteed performance and reliability
- Soft seat design has 6,000 psi pressure rating @ 200 °F
- Features a replaceable Delrin® seat, and straight through porting for easy roddable cleaning of the block valves
- Blow-out proof stem provides a secondary stem seal in the full open position
- FKM o-ring seal and PTFE back-up ring below the stem threads to protect from corrosion and galling
- All stems are 316 stainless steel
- All stem threads are rolled for strength and ease of operation
- One-piece bonnet with a metal-to-metal seal to the valve body below the bonnet threads
- Slotted spring pin to prevent accidental loosening
- Color coded vinyl dust caps for bonnets and stems
- Rod Out Ports and Drain Ports are standard on the 90° Angle design

Flow Schematic



SPECIFICATIONS

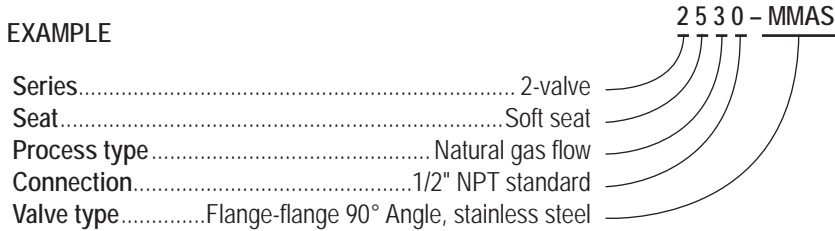
Materials	Zinc-nickel plated steel, electropolished 316 stainless steel
Connections	Flange-flange 90° angle
Pressure ratings	6,000 psi @ 200 °F
Orifice size	0.375"
Flow coefficient	C_v 3.0
Stem seal & type	All 316 stainless steel stems with FKM o-ring and PTFE back-up ring below the threads
Additional features	Two static (test) ports, color coded vinyl bonnet and stem dust cap, patented soft tip stem design on equalizing and vent valves
Weight	Approximately 9.4 lb.

NOTE: All NOSHOK valve products conform to the MSS SP-99 instrument valves standards, and valves supplied with packing also conform to MSS SP-132 compression packing systems for instrument valves standard.

ORDERING INFORMATION	
SERIES	2 2-valve
SEATS	5 Soft seat (0.375" orifice)
PROCESS TYPE	3 Natural gas flow
CONNECTIONS	0 1/2" NPT standard or flange
VALVE TYPES	MMAC Flange-Flange 90° Angle, Steel MMAS Flange-Flange 90° Angle, Stainless Steel

Please consult your local NOSHOK Distributor or NOSHOK, Inc. for availability and delivery information.

EXAMPLE



To meet all of your specific application requirements, the following **additional options** are available for these manifold valves. To order all or any of these options, simply add them to the part number as shown in the diagram below.

NOTE 1: The example shown includes ALL possible additional options. Please include ONLY the options required for your application when building your part number. (EXAMPLE: 2530-MMAS-PK1)

NOTE 2: When a packing option is selected, an o-ring option is NOT available.

ORDERING INFORMATION - ADDITIONAL OPTIONS			
SOFT SEATS	PK1 PEEK	KF1 PCTFE	
O-RINGS*	EM1 EPDM	KZ1 FFKM (Kalrez® 3018 or equivalent)	NB1 NBR

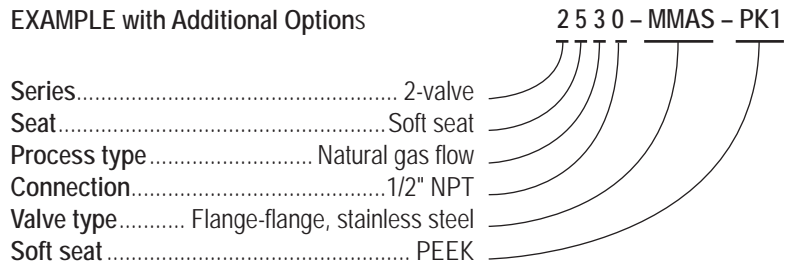
Please consult your local NOSHOK Distributor or NOSHOK, Inc. for availability and delivery information.

* Other o-ring materials available on request.

Please note that the standard o-ring in all the NOSHOK valves is FKM and the standard handles are isolation "T" handles (HL8) and equalizing/vent 1-3/8" mini "T" handles (HL7).

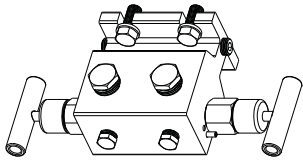
The handle material will always match the material of the valve, unless otherwise specified. For example, the "T" handle on the 2530-MMAS will be steel. When only the standard configuration is needed, no additional designations are necessary. Please consult the factory for special application requests.

EXAMPLE with Additional Options

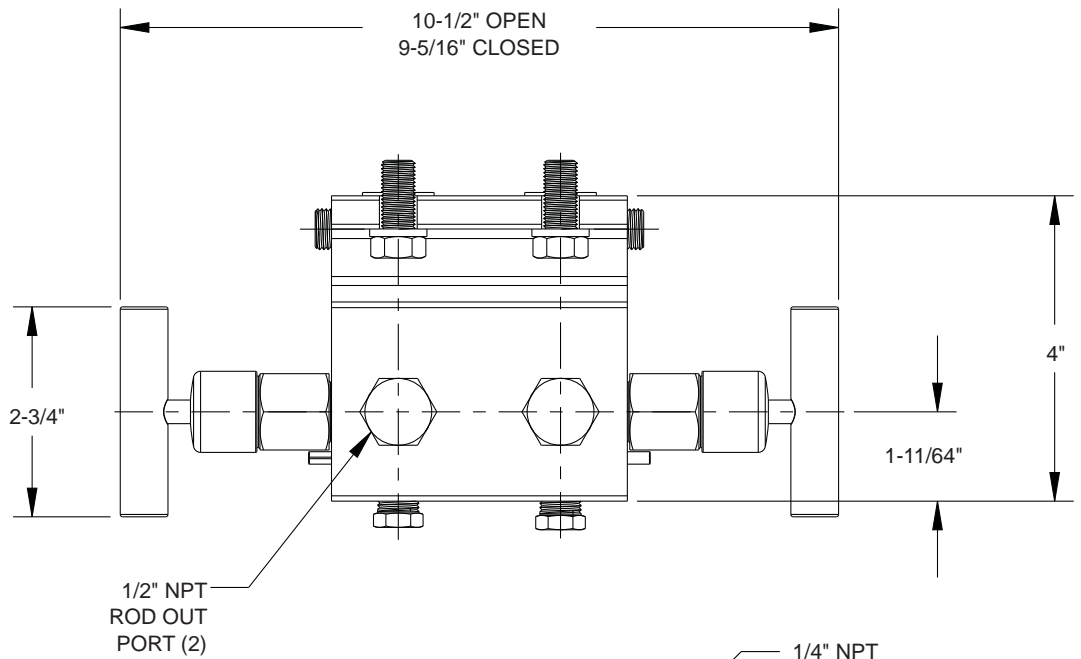


Dimensions

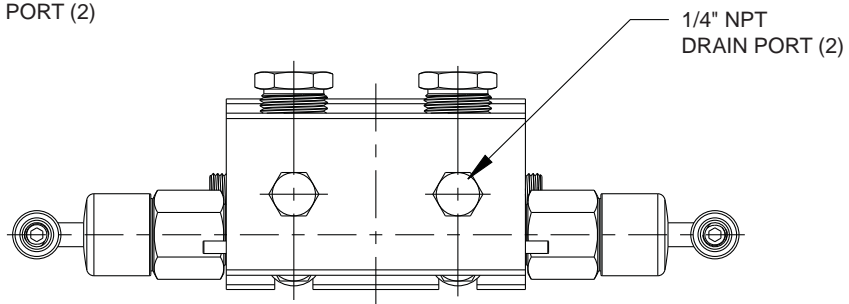
Flange-Flange



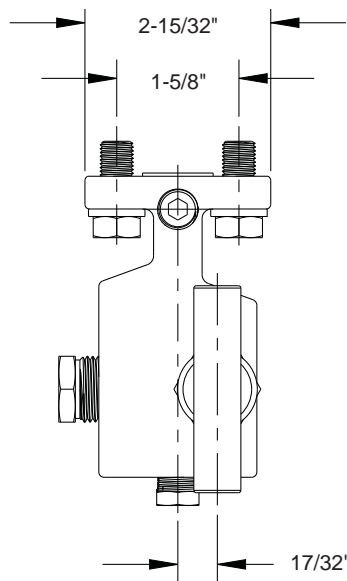
Top View

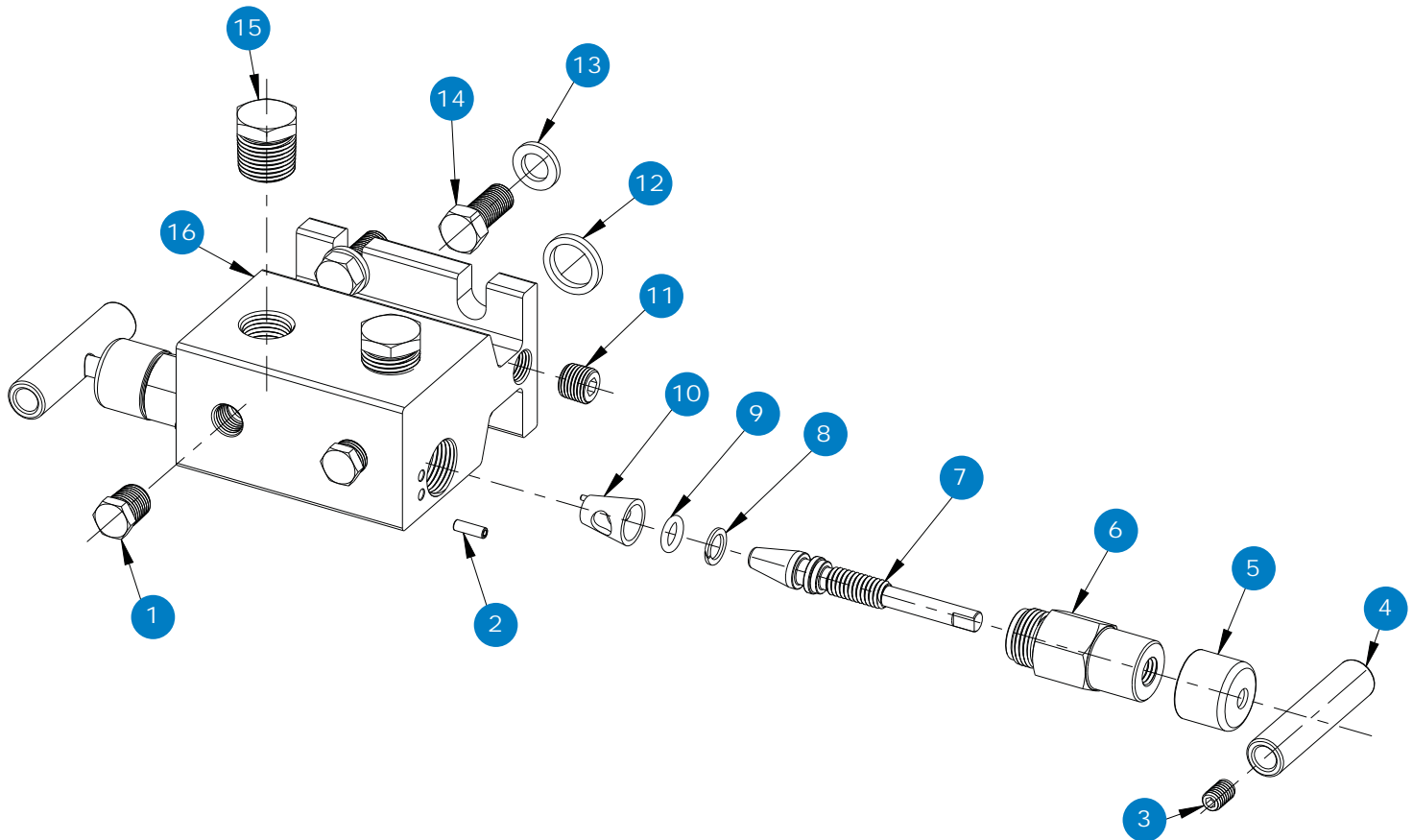


Front View



Side View





- | | |
|----------------------|----------------|
| 1 Plug | 11 Plug |
| 2 Slotted spring pin | 12 Gasket ring |
| 3 Set screw | 13 Flat washer |
| 4 Valve "T" handle | 14 Head bolt |
| 5 Blue dust cap | 15 Plug |
| 6 Valve bonnet | 16 Valve body |
| 7 Non-rotating stem | |
| 8 PTFE back-up ring | |
| 9 FKM o-ring | |
| 10 Delrin® seat | |