

Standard & Elevated Pressure, Bolted

TYPE 30/30H



- Utilizes an all metallic diaphragm welded to the upper housing to allow field replacement of the lower housing while maintaining continuity of the measuring system
- Can be used for remote mounting of pressure instrument(s) with capillary
- A wide variety of instrument and process connections are available
- A flushing port is available to clean wetted areas and prevent process media build up
- Consider instrument size, pressure range, media composition, ambient and operating temperature, and maximum working pressure when selecting
- Capillaries and cooling elements are available for elevated process temperatures, see page 24
- Fill fluid must be compatible with process media; i.e. Glycerin may become volatile in conjunction with a strong oxidizing agent such as chlorine, forms of oxygen or peroxide and nitric acids

APPLICATIONS

- Water and wastewater
- Oil and gas
- Petrochemical
- Chemical processing
- Industrial automation
- Marine
- Agriculture
- Steel fabrication
- Mud pumping
- Pulp and paper
- Pneumatic

SPECIFICATIONS

Seal type	Threaded with welded diaphragm (Flanged available on request)			
Instruments	Type	Size	Minimum Pressure	Maximum Pressure
	Gauges	2-1/2" to 6"	0 psig to 30 psig	0 psig to 2,500 psig (30H - 5,000 psig)
	Transducers	-	0 psig to 30 psig	0 psig to 2,500 psig (30H - 5,000 psig)
	Switches	-	0 psig to 30 psig	0 psig to 2,500 psig (30H - 5,000 psig)
Upper housing	Type	Continuous duty		
	Connections	1/4" NPT, 1/2" NPT		
	Materials	Polyurethane enamel coated Steel, 316 Stainless Steel		
Diaphragm	Size	2.4"		
	Displacement	1.5 ml		
	Materials	316 Stainless Steel (Exotic materials available on request)		
Gaskets	Type 30	Klingsil C-440, PTFE and FKM		
	Type 30H	FEP encapsulated o-ring (5,000 psi)		
Lower housing	Connections	1/4" NPT, 1/2" NPT, 3/4" NPT, 1" NPT, 1-1/4" NPT and 1-1/2" NPT		
	Materials	Polyurethane enamel coated Steel, 316 Stainless Steel (Exotic materials available on request)		
	Flushing port	Optional 1/8" NPT, 1/4" NPT and dual ports		
Bolting	Zinc-plated Steel, optional Stainless Steel			
Operating temperature	Operating temperature is determined by the temperature/pressure configuration. See Material Temperature table.			

For NOSHOK Diaphragm Seals with Carbon Steel lower housing materials:



WARNING: This product can expose you to chemicals including Lead, which is known to the State of California to cause cancer and birth defects or other reproductive harm. For more information go to www.P65Warnings.ca.gov

For NOSHOK Diaphragm Seals with Stainless Steel lower housing materials:



WARNING: This product can expose you to chemicals including Chromium (VI) and Nickel, which are known to the State of California to cause cancer and birth defects or other reproductive harm. For more information go to www.P65Warnings.ca.gov

ORDERING INFORMATION				
TYPE	30 (2,500 psi)	30H (5,000 psi)		
INSTRUMENT CONNECTION SIZES	02 1/4" NPT	04 1/2" NPT		
UPPER HOUSING MATERIALS	C Carbon Steel M Monel 400	P Carpenter 20 S 316 Stainless Steel	U Titanium Grade 4	
DIAPHRAGM MATERIALS	A Tantalum H Hastelloy C-276	M Monel 400* N Inconel 600	P Carpenter 20* S 316 Stainless Steel	U Titanium Grade 4*
SEAL GASKET MATERIALS	F FEP encapsulated o-ring (5,000 psi) R Klingsil C-4401 (Rated to 1,500 psi)	T PTFE V FKM		
PROCESS CONNECTION SIZES	02 1/4" NPT 04 1/2" NPT (ASME and DIN Flanges Available Upon Request)	06 3/4" NPT 08 1" NPT	10 1-1/4" NPT 12 1-1/2" NPT	
LOWER HOUSING MATERIALS	C Carbon Steel H Hastelloy C-276	M Monel 400 N Inconel 600	P Carpenter 20 S 316 Stainless Steel	U Titanium Grade 4
FLUSHING CONNECTIONS	1F 1/8" NPT	2F 1/4" NPT		

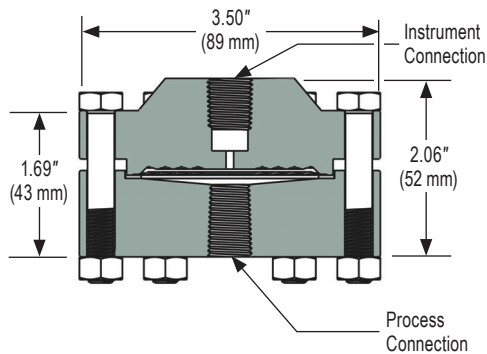
Please consult your local NOSHOK Distributor or NOSHOK, Inc. for availability and delivery information.

* When selecting a Monel 400, Carpenter 20 or Titanium Grade 4 Diaphragm, the upper housing must be the same material

EXAMPLE

Type	30	30 - 04 S - S - R - 04 S - 1F
Instrument connection size	1/2" NPT	
Upper housing material	316 Stainless Steel	
Diaphragm material	316 Stainless Steel	
Seal gasket material	Klingsil C-4401	
Process connection size	1/2" NPT	
Lower housing material	316 Stainless Steel	
Flushing connection (optional)	1/8" NPT	

Type 30 Standard Pressure



Type 30H Elevated Pressure

