

# Non-Replaceable Diaphragm Standard & Elevated Pressure

## TYPE 25/25H



- Designed to isolate the pressure measuring instrument from corrosive or viscous process media
- Utilize an all welded, all metallic housing design to eliminate potential leak paths
- For use with gauges with dial sizes of 2-1/2" and smaller, and pressure ranges no less than 100 psig
- Housing and diaphragm offered in a variety of materials to suit most applications
- A flushing port is available to clean wetted areas and prevent process media build up
- Consider instrument size, pressure range, media composition, ambient and operating temperature, and maximum working pressure when selecting
- Capillaries and cooling elements are available for elevated process temperatures, see page 24
- Fill fluid must be compatible with process media; i.e. Glycerin may become volatile in conjunction with a strong oxidizing agent such as chlorine, forms of oxygen or peroxide and nitric acids

### APPLICATIONS

- Water and wastewater
- Oil and gas
- Petrochemical
- Chemical processing
- Industrial automation
- Marine
- Agriculture
- Steel fabrication
- Mud pumping
- Pulp and paper
- Pneumatic

### SPECIFICATIONS

Seal type	Threaded with welded diaphragm			
Instruments	Type	Size	Minimum Pressure	Maximum Pressure
	Gauges	2-1/2"	0 psig to 100 psig	0 psig to 2,500 psig (25H - 5,000 psig)
	Transducers	-	0 psig to 60 psig	0 psig to 2,500 psig (25H - 5,000 psig)
	Switches	-	0 psig to 60 psig	0 psig to 2,500 psig (25H - 5,000 psig)
Upper housing	Type	Non-continuous duty		
	Connections	1/4" NPT, 1/2" NPT		
	Materials	316 Stainless steel		
Diaphragm	Size	1.28"		
	Displacement	400 mm <sup>3</sup>		
	Materials	316 Stainless steel (Exotic materials available on request)		
Lower housing	Connections	1/4" NPT, 1/2" NPT		
	Materials	316 Stainless steel (Exotic materials available on request)		
	Flushing port	Optional 1/8" NPT and 1/4" NPT		
Operating temperature	Operating temperature is determined by the temperature/pressure configuration. See Material Temperature table.			

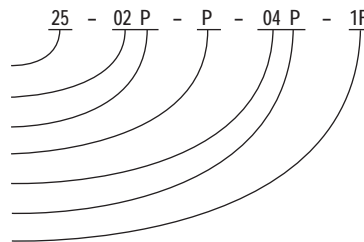
ORDERING INFORMATION					
TYPE	25 (2,500 psi)	25H (5,000 psi)			
INSTRUMENT CONNECTION SIZES	02 1/4" NPT	04 1/2" NPT			
UPPER HOUSING MATERIALS	M Monel 400	P Carpenter 20	S 316 Stainless steel		
DIAPHRAGM MATERIALS	H Hastelloy C-276	M Monel 400 <sup>1</sup>	P Carpenter 20 <sup>1</sup>	S 316 Stainless steel	
PROCESS CONNECTION SIZES	02 1/4" NPT	04 1/2" NPT			
LOWER HOUSING MATERIALS	H Hastelloy C-276	M Monel 400	P Carpenter 20	S 316 Stainless steel	
FLUSHING CONNECTIONS	1F 1/8" NPT	2F 1/4" NPT			

Please consult your local NOSHOK Distributor or NOSHOK, Inc. for availability and delivery information.

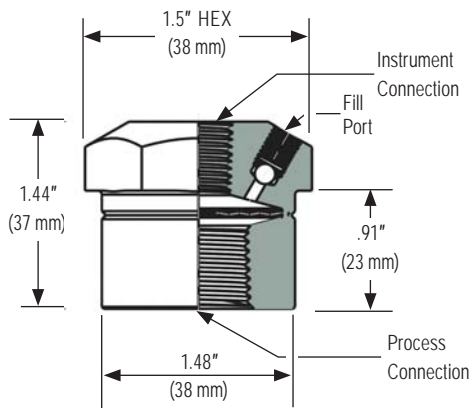
<sup>1</sup> When selecting a Monel or Carpenter 20 Diaphragm, the upper & lower housing must be the same material

### EXAMPLE

Type ..... 25  
 Instrument connection size ..... 1/4" NPT  
 Upper housing material ..... Carpenter 20  
 Diaphragm material ..... Carpenter 20  
 Process connection size ..... 1/2" NPT  
 Lower housing material ..... Carpenter 20  
 Flushing connection (optional) ..... 1/8" NPT



### Type 25 Standard Pressure



### Type 25H Elevated Pressure

