

50/75/100 SERIES



- Allows a temperature instrument to be removed and replaced without shutting down and draining the process
- Reduces the possibility of damage to the temperature instrument
- Provides protection to the operator
- 1/2" NPSM instrument connection, 3/4" NPT process connection standard - 1/2" NPT, 1" NPT, flanged and sanitary options available
- 150 Class and 300 Class raised face flanged thermowells available
- The Female thread will accept the 1/2" NPT Male thread without galling or seizing
- Brass, 304 stainless steel, or 316 stainless steel standard material options - other options available
- Standard style is stepped; available in straight and tapered
- Different lagging lengths are available

APPLICATIONS

- Recommended wherever the process being measured is under pressure, corrosive, abrasive, or moving at a high velocity
- HVAC
- Petrochemical
- Oil and gas
- Process (flanged thermowells)

SPECIFICATIONS

Bore size	0.260" (6.35 mm)
Process connection	1/2" NPT, 3/4" NPT, 1" NPT
Instrument connection	1/2" NPSM
Materials	316 stainless steel, 304 stainless steel, brass
Pressure rating	316 and 304 stainless steel: 7,000 psi @ 70 °F Brass: 5,000 psi @ 70 °F
Style	≤4": Straight shank >4": Stepped shank
Maximum shank diameter	0.750" (19.05 mm)

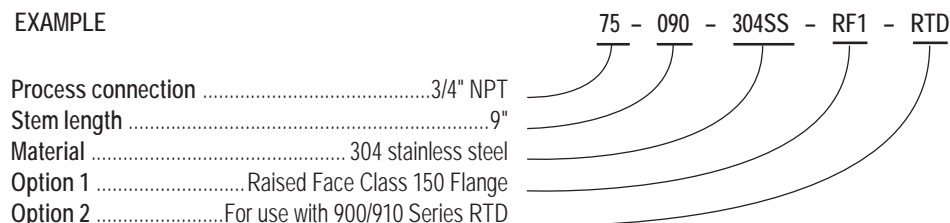
ORDERING INFORMATION								
PROCESS CONNECTIONS	50	1/2" NPT only	100	1" NPT or Flange Connection*	200	2" Flange Connection*		
	75	3/4" NPT only	150	1-1/2" Flange Connection*				
STEM LENGTHS	025	2-1/2"***	060	6"	120	12"	180	18"
	040	4"***	090	9"	150	15"	240	24"
MATERIALS	BRASS	Brass	304SS	304 Stainless steel	316SS	316 Stainless steel		
<small>Other materials available on request</small>								
OPTIONS	1/4	1/4" NPT Instrument Connection	PC	Plug and Chain	RF2	Raised Face 300 Class Flange		
	3/8B	3/8" Diameter Bore	RF1	Raised Face 150 Class Flange	RTD	For use with 900/910 Series RTDs		

Please consult your local NOSHOK Distributor or NOSHOK, Inc. for availability and delivery information.

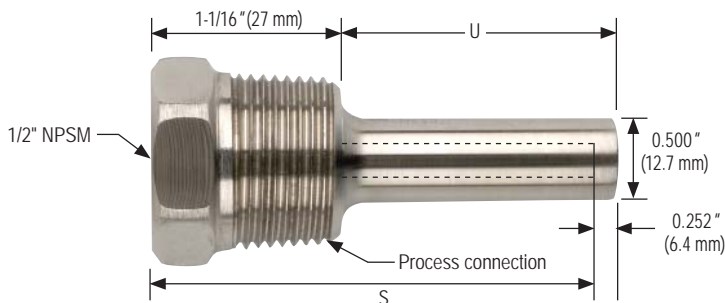
* To order a Flange Connection, you must specify Option RF1 or RF2. Flange Connections available only in Stainless steel.

** Flange Connection not available.

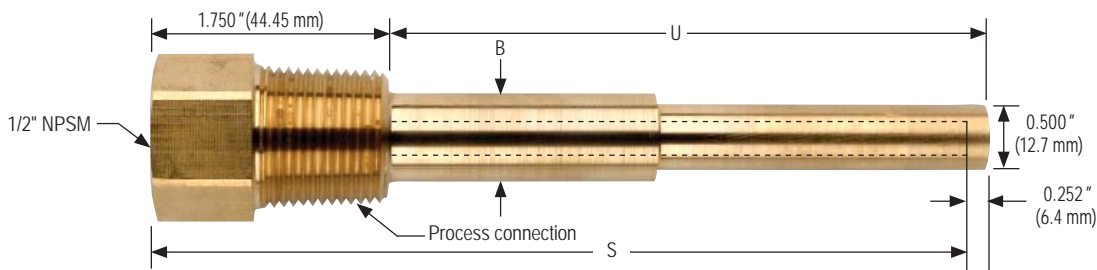
EXAMPLE



Straight Shank



Stepped Shank

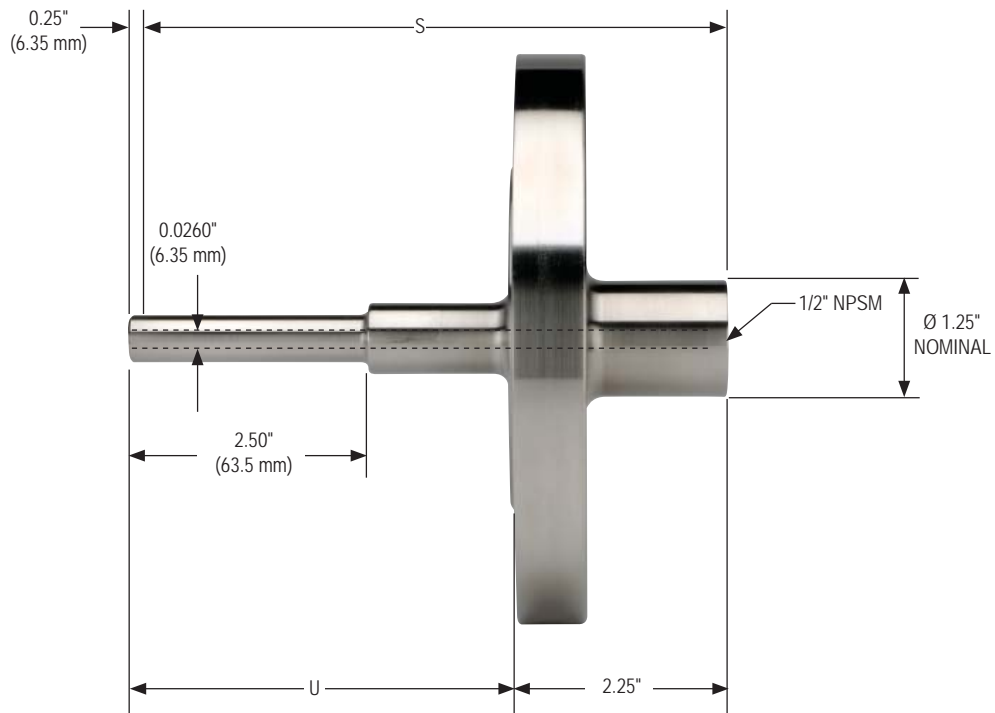


Bore Size	"B" Maximum Insertion Diameter
0.260" (6.35 mm)	3/4" (19.05 mm)

	Straight			Stepped					
Insertion "U"	mm	41.3	63.5	114.3	190.5	266.7	342.9	419.1	571.5
	inch	1-5/8	2-1/2	4-1/2	7-1/2	10-1/2	13-1/2	16-1/2	22-1/2
Bore Depth "S"	mm	63.5	101.6	152.4	228.6	304.8	381.0	457.2	609.6
	inch	2-1/2	4	6	9	12	15	18	24
Ordering Code		025	040	060	090	120	150	180	240

Flange Connection Thermowell dimensions on next page.

RF1 150 Class & RF2 300 Class Raised Face Flanges



RF1 Class 150 Flange / RF2 Class 300 Flange							
Insertion "U"	mm	101.6	177.8	254.0	330.2	406.4	558.8
	inch	4	7	10	13	16	22
Bore Depth "S"	mm	152.4	228.6	304.8	381.0	457.2	609.6
	inch	6	9	12	15	18	24
Ordering Code		060	090	120	150	180	240

Note: NOSHOK Thermowells are provided with NPSM internal thread connections. This female connection may be used with NPT or NPSM mating threads. The NPSM thread provides a better mechanical connection without seizing or galling.