

Vapor Actuated Remote

300/400/600 700/900 SERIES



- Indicates media temperature using a temperature-actuated liquid in the sensing element and a highly accurate, high quality pressure gauge
- As the media temperature increases, the capillary fill fluid vaporizes, increasing pressure in the Bourdon tube to activate the movement and pointer for proper indication
- Ranges available from -40 °F/C to 60 °F/C through 100 °F/C to 350 °F/C
- 2-1/2", 4", 4-1/2" and 6" sizes
- Brass, stainless steel, or phenolic case
- Dry or liquid filled
- Bottom, back or lower back connected
- Mounting options: front or rear flange, bezel, and u-clamp
- Capillary material: copper or stainless steel
- Bulb material & dimensions: copper or stainless steel, 2-5/8" x 3/8" through 7-5/8" x 3/8"
- The dial scale graduations are non-linear, therefore the highest degree of accuracy and readability is found in the upper half of the scale

APPLICATIONS

- Power transformers
- Paper mills
- Refineries
- Petrochemical
 - Oil and gas
 - Chemical
 - HVAC/R
 - Food processing
 - Pharmaceutical

	SERIES	SPECIFICATIONS
Lens	300, 600, 700 Series 400, 900 Series	Acrylic Instrument glass
Pointer	All	Aluminum, black finish
Accuracy	All	±2.0% full scale, Grade B, ASME B40.4
Dial	All	Aluminum, white background, dual scale, black Celsius scale and black Fahrenheit scale

Thermowells are recommended for pressure, corrosive fluids and high velocity applications, see pages 36-37.

300/400/600/700/900 SERIES ORDERING INFORMATION

ORDERING INFORMATION			
300 SERIES	25-300	2-1/2", brass case, bottom connection	25-310 2-1/2", brass case, back connection
400 SERIES	40-400	4", all stainless, bottom connection	40-410 4", all stainless, back connection
	60-400	6", all stainless, bottom connection	60-410 6", all stainless, back connection
600 SERIES	45-640	4-1/2", phenolic case/brass bottom connection	
700 SERIES	45-740	4-1/2", phenolic case/stainless bottom connection	
900 SERIES	40-901	4", stainless case, brass bottom connection	40-911 4", stainless case, brass back connection
GAUGE FILL FLUIDS	0	Dry gauge	2 -40° service
	1	Glycerin	3 Silicone
MOUNTING OPTIONS	0	None	3 Rear flange ²
	1	Chrome front flange ¹	4 Bezel & u-clamp ³
	2	Brass front flange ¹	5 Stainless steel front flange ⁴
TEMPERATURE RANGES	1	-40 °F/°C to 60 °F/°C	6 30 °F/°C to 180 °F/°C
	2	-20 °F/°C to 120 °F/°C	7 30 °F/°C to 240 °F/°C
	3	0 °F/°C to 250 °F/°C	8 30 °F/°C to 300 °F/°C
	4	0 °F/°C to 300 °F/°C	9 50 °F/°C to 350 °F/°C
	5	20 °F/°C to 220 °F/°C	10 100 °F/°C to 350 °F/°C
CAPILLARY TYPES/MATERIALS	1	Plain copper	3 Plain stainless steel
	2	Armored copper	4 Armored stainless steel
CAPILLARY LENGTH	##	Specify in feet	
BULB STYLES/MATERIALS	1	Plain copper	3 1/2" NPT union copper
	2	Plain stainless steel	4 1/2" NPT union stainless steel
BULB DIMENSIONS	1	2-5/8" x 3/8"	6 4" x 3/8"
	2	4-1/2" x 3/8"	7 9" x 3/8"
	3	8" x 3/8"	8 7-5/8" x 3/8"
	4	3-1/2" x 3/8"	15 6" x 1/2" ⁵
	5	6" x 3/8"	

Please consult your local NOSHOK Distributor or NOSHOK, Inc. for availability and delivery information.

* Not available for gauge sizes ≥4" or ≥16' capillary

¹ Only available on 300 Series

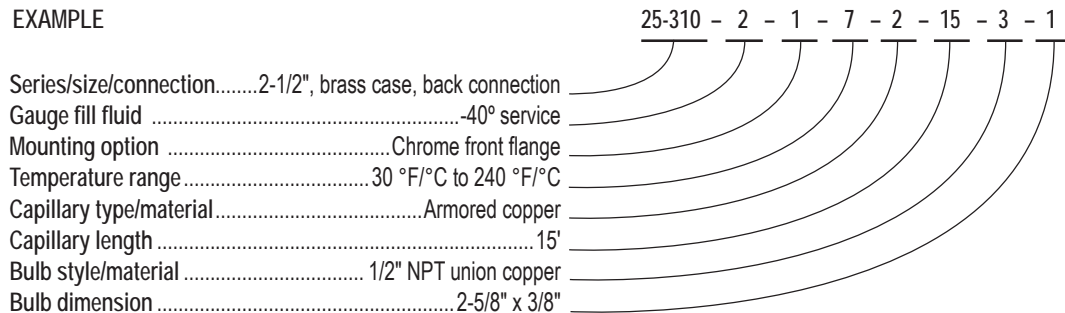
² Not available on 600/700 Series

³ Only available on back connection case types

⁴ Only available on 400 & 900 Series

⁵ 4" gauge or larger requires 6" bulb

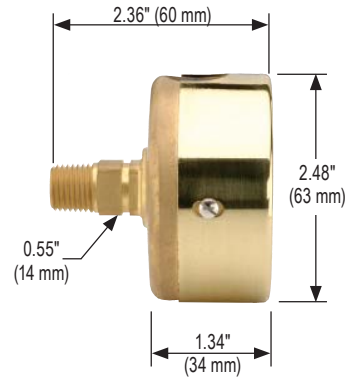
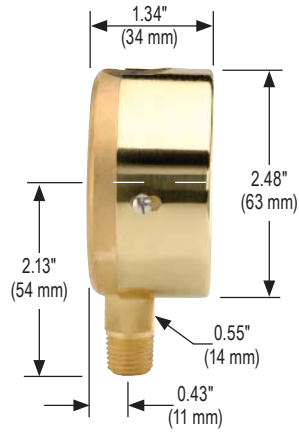
EXAMPLE



Dimensions

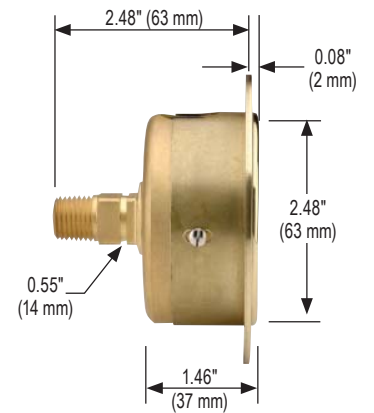
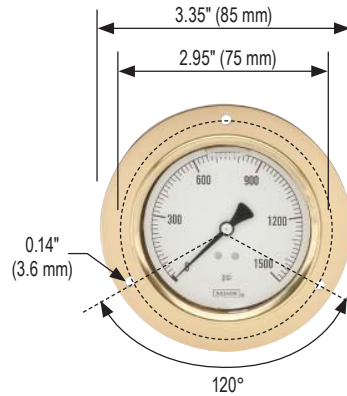
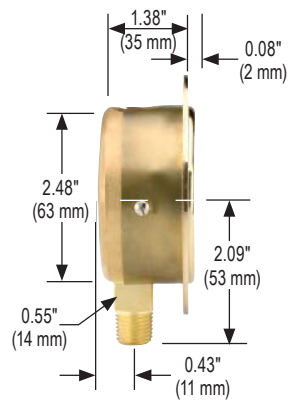
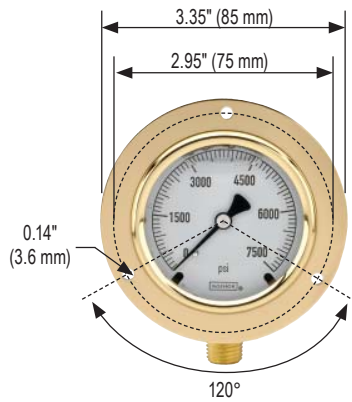
25-300

25-310

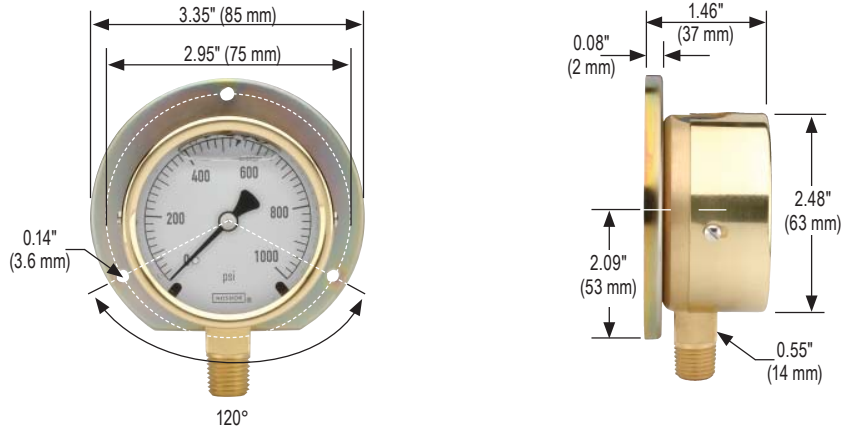


25-300 Front Flange

25-310 Front Flange

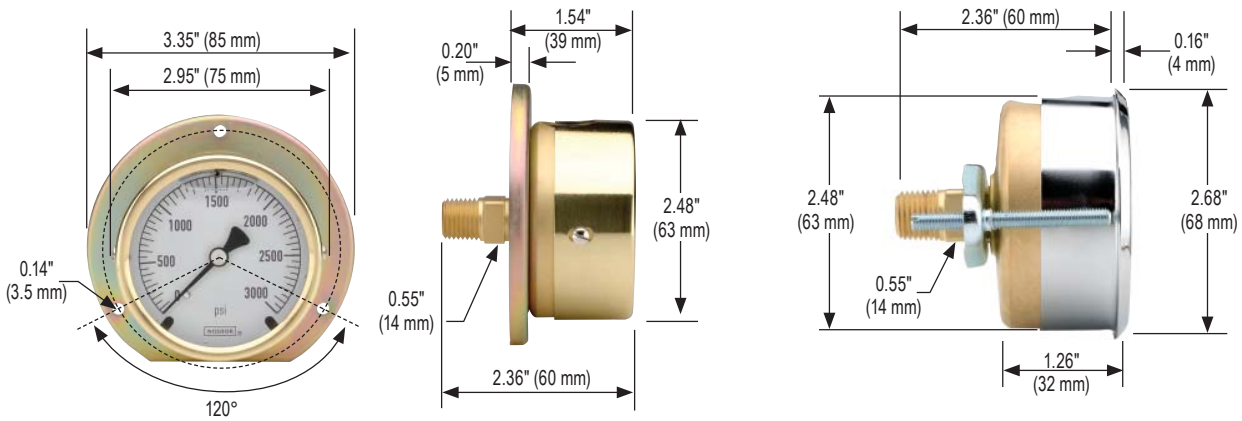


25-300 Rear Flange



25-310 Rear Flange

25-310 Chrome Bezel with U-Clamp



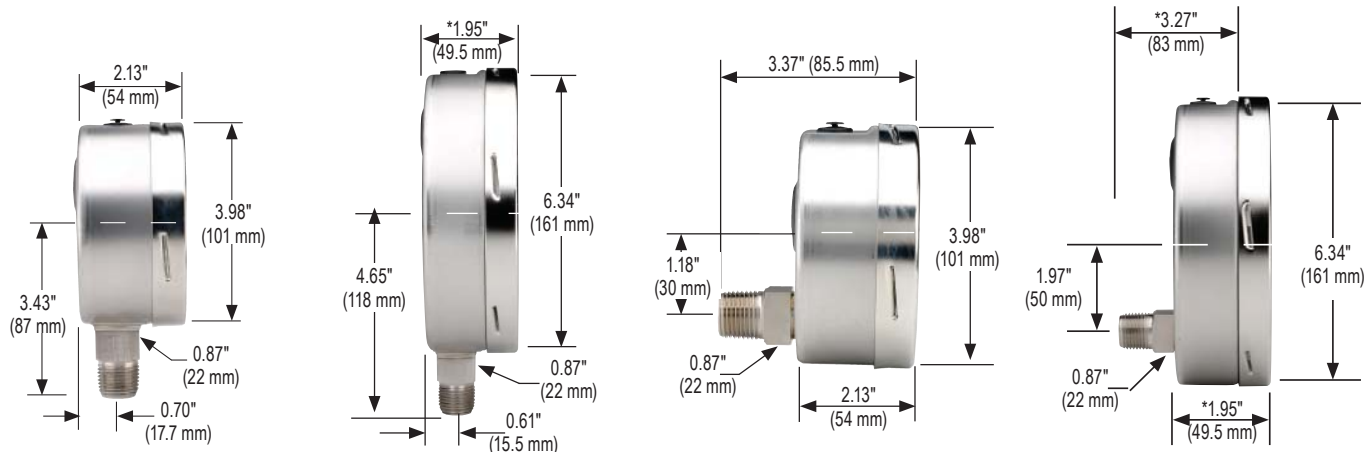
Dimensions

40-400

60-400

40-410

60-410

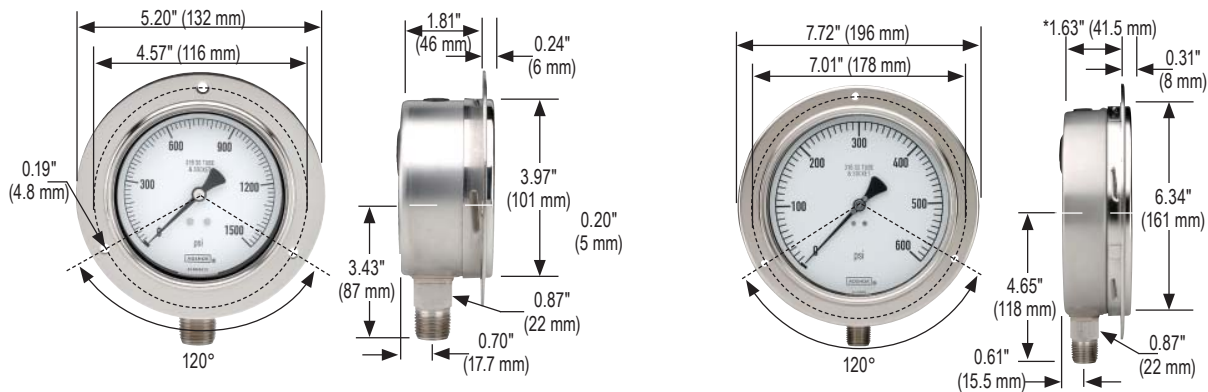


* ≥ 1,500 psi increase by 0.67" (17 mm)

* ≥ 1,500 psi increase by 0.67" (17 mm)

40-400 Front Flange

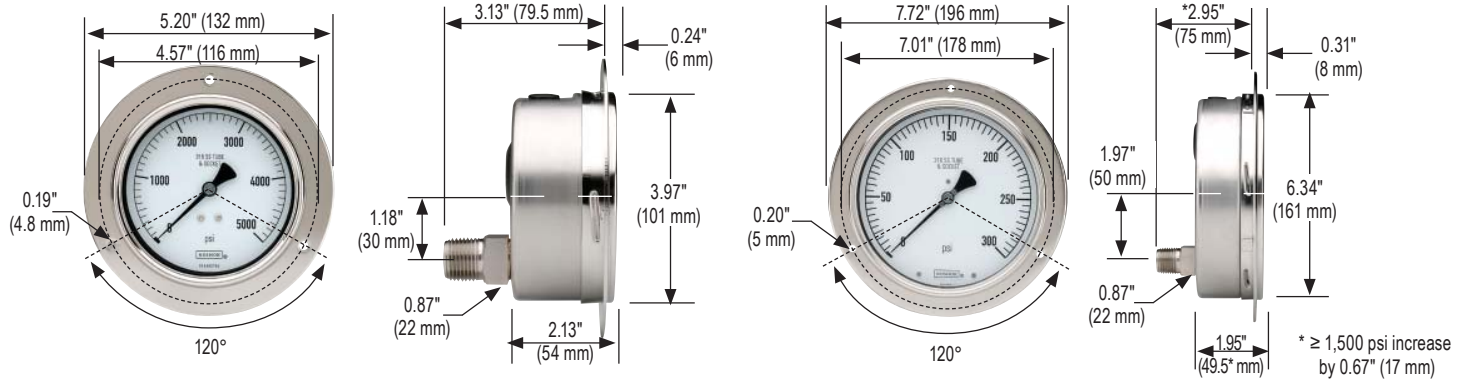
60-400 Front Flange



300/400/600/700/900 SERIES DIMENSIONS

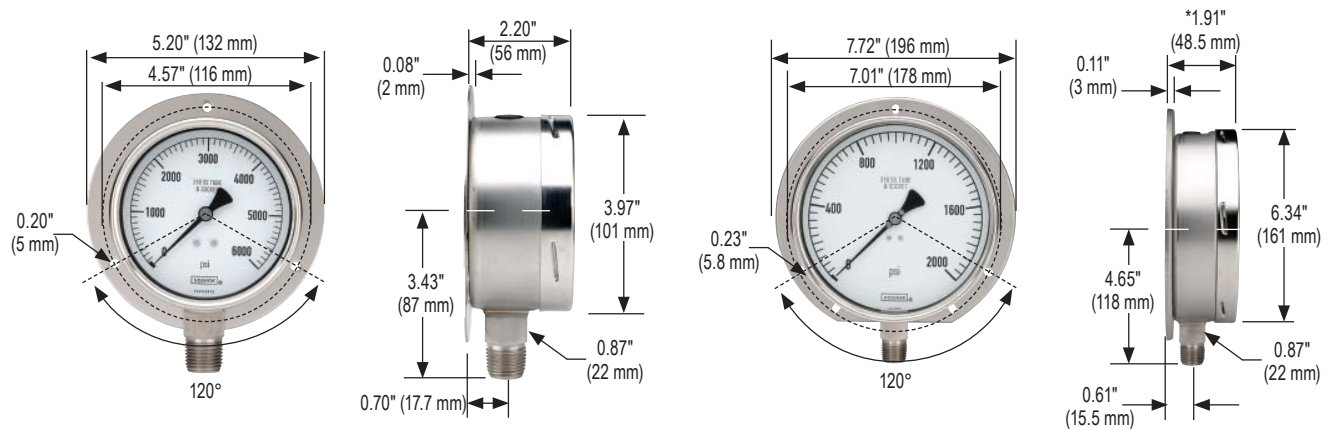
40-410 Front Flange

60-410 Front Flange



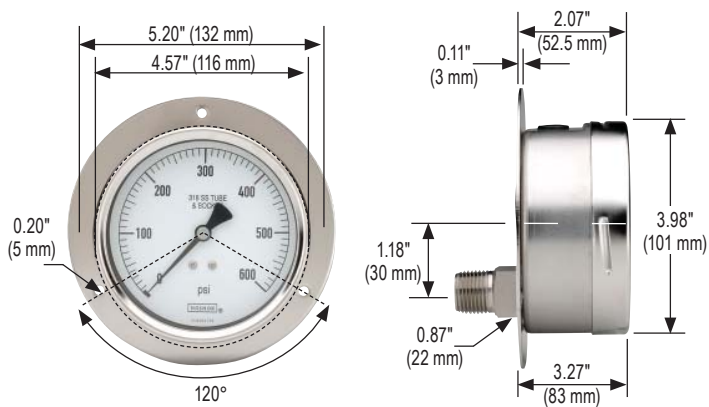
40-400 Rear Flange

60-400 Rear Flange

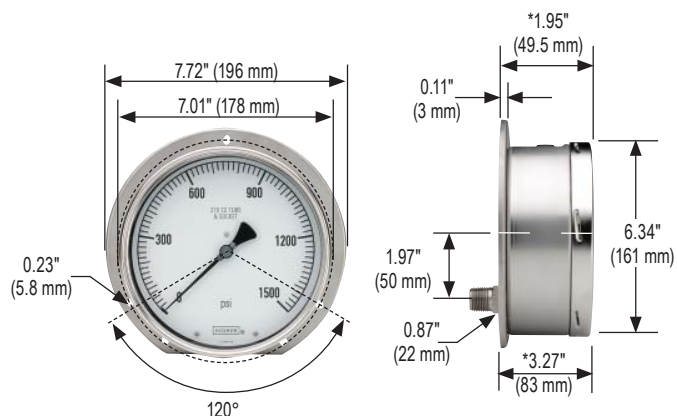


Dimensions

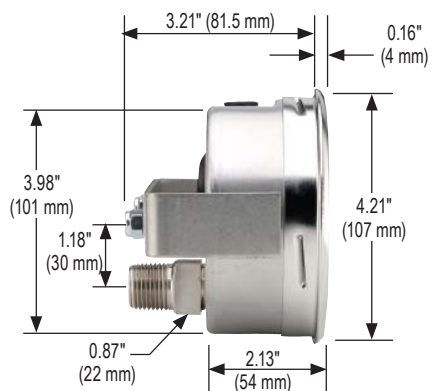
40-410 Rear Flange



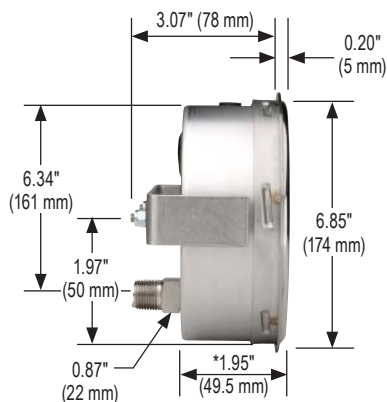
60-410 Rear Flange



40-410/510 SS Bezel w/U-Clamp



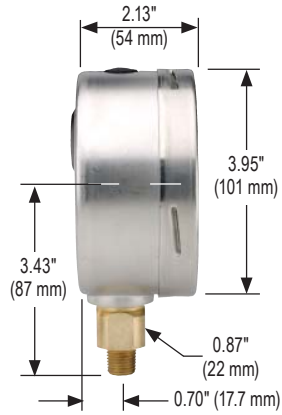
60-410 SS Bezel w/U-Clamp



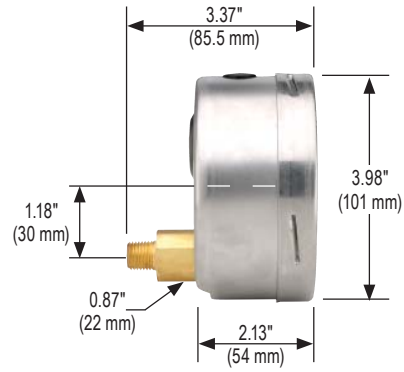
45-640 & 45-740



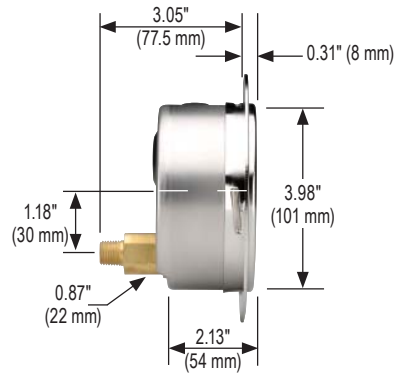
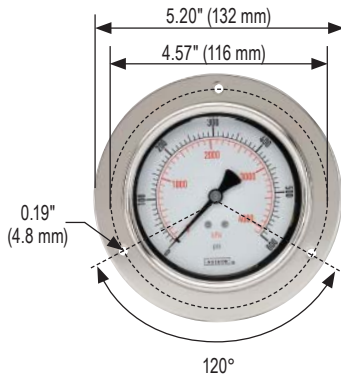
40-901



40-911



40-911 Front Flange



40-911 Rear Flange

