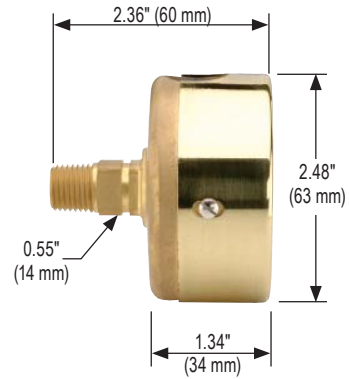
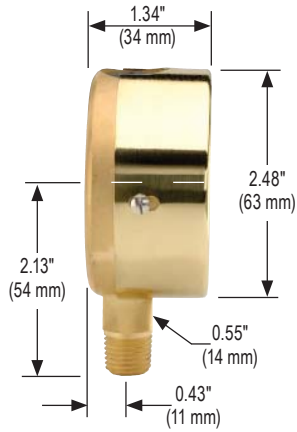


Dimensions

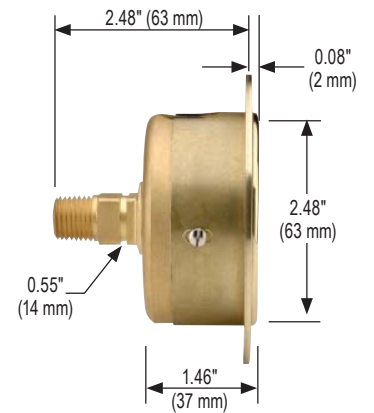
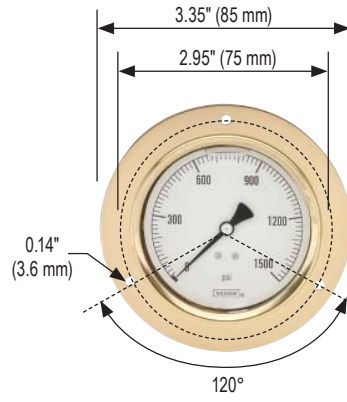
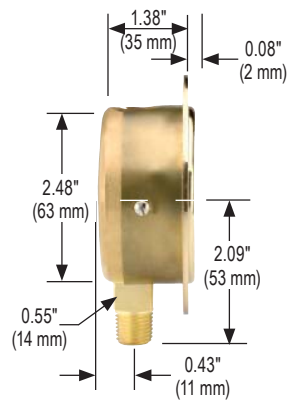
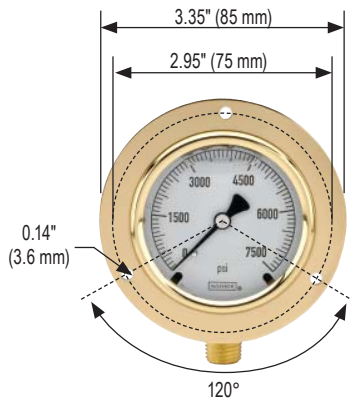
25-300

25-310

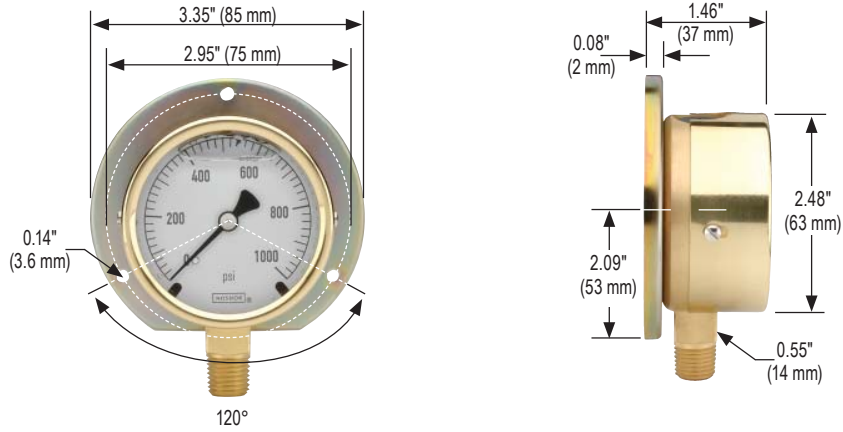


25-300 Front Flange

25-310 Front Flange

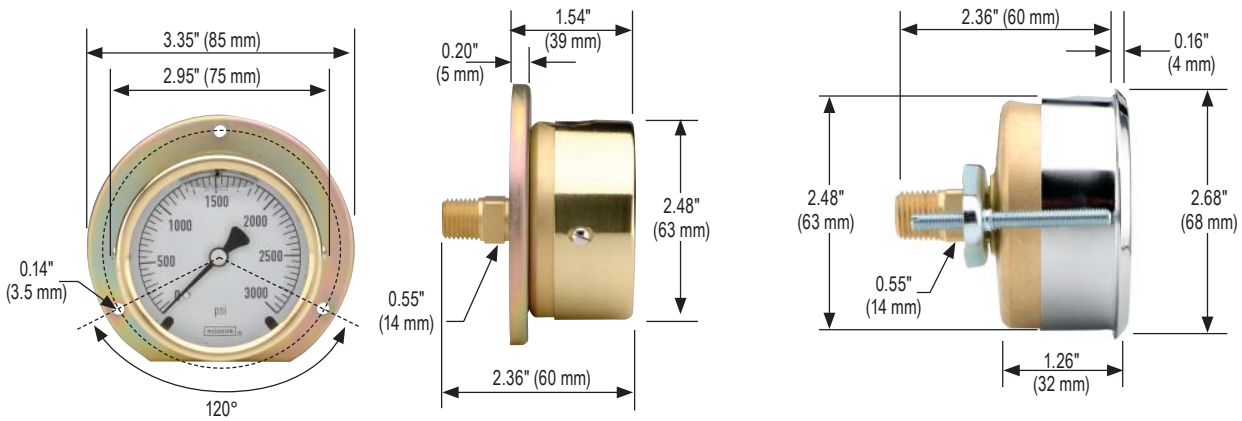


25-300 Rear Flange



25-310 Rear Flange

25-310 Chrome Bezel with U-Clamp



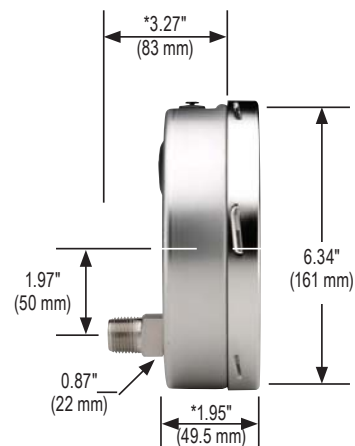
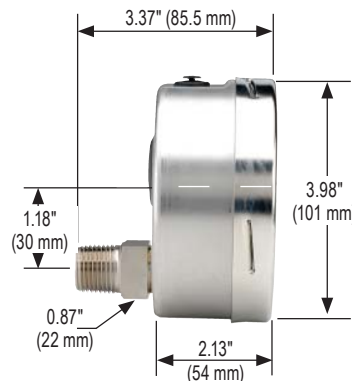
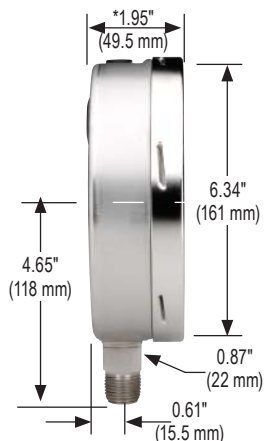
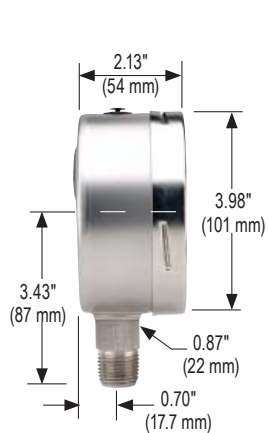
Dimensions

40-400

60-400

40-410

60-410

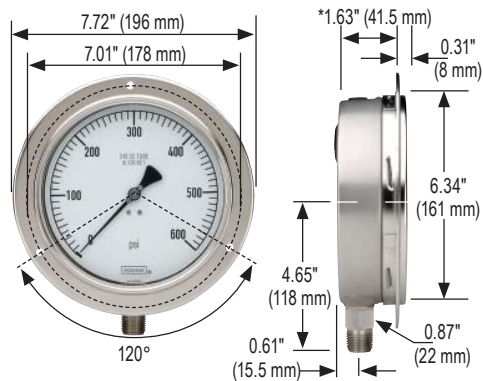
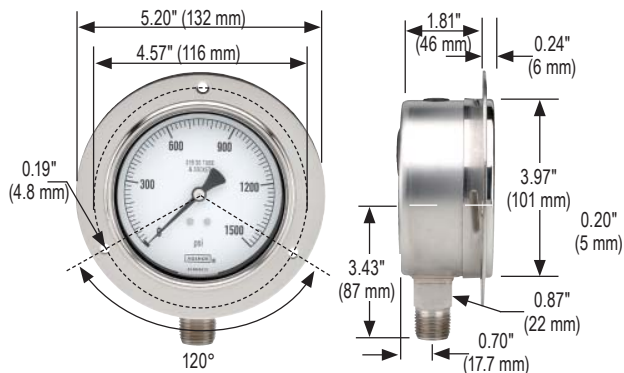


* ≥ 1,500 psi increase by 0.67" (17 mm)

* ≥ 1,500 psi increase by 0.67" (17 mm)

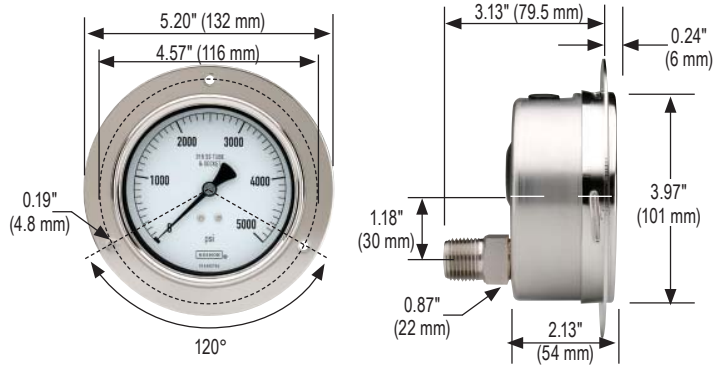
40-400 Front Flange

60-400 Front Flange

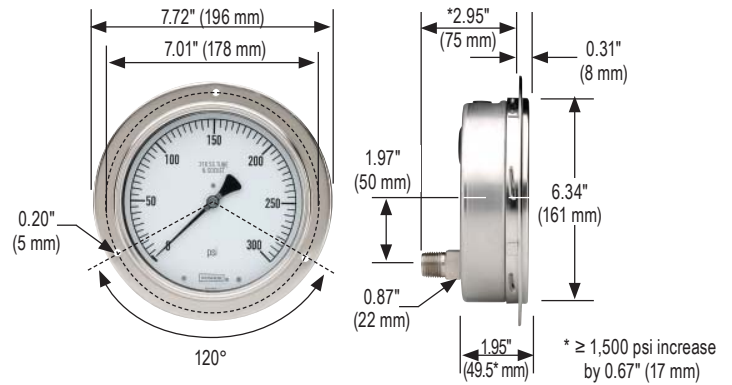


300/400/600/700/900 SERIES DIMENSIONS

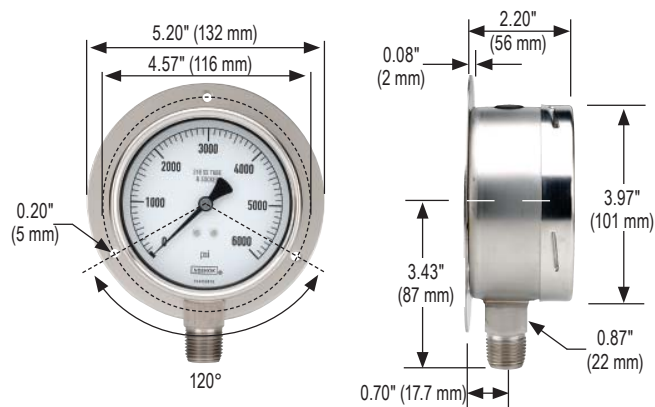
40-410 Front Flange



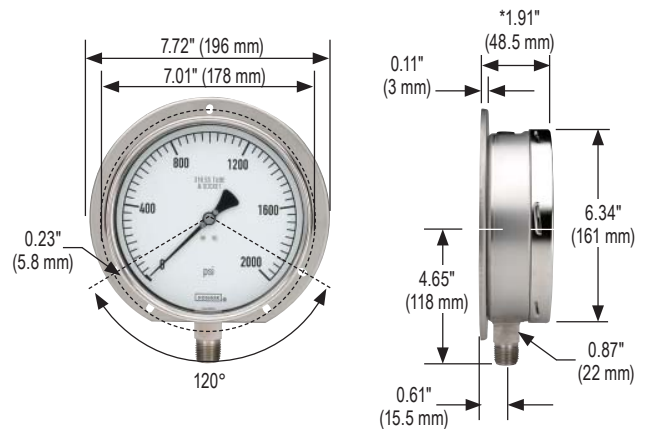
60-410 Front Flange



40-400 Rear Flange

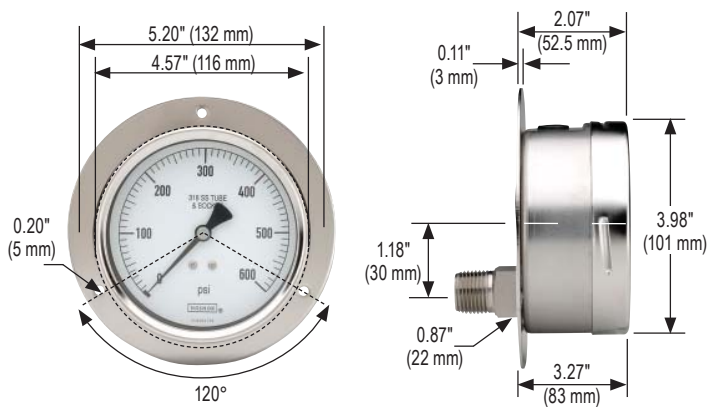


60-400 Rear Flange

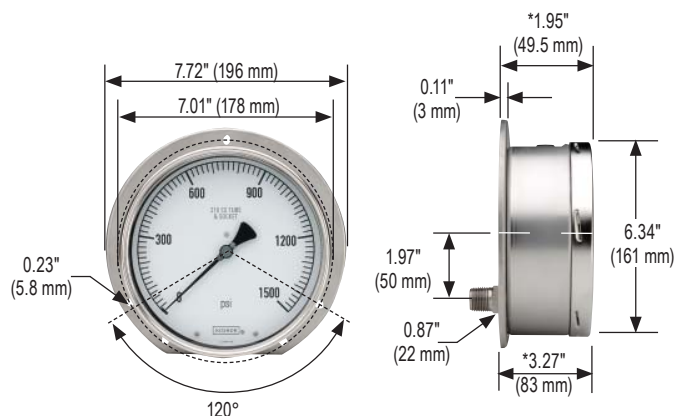


Dimensions

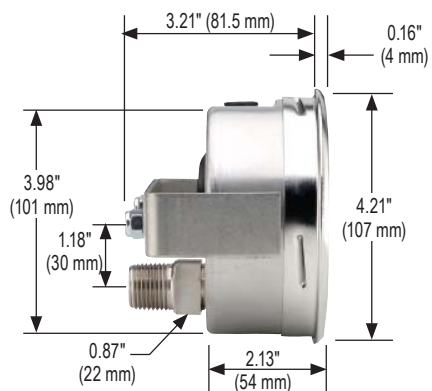
40-410 Rear Flange



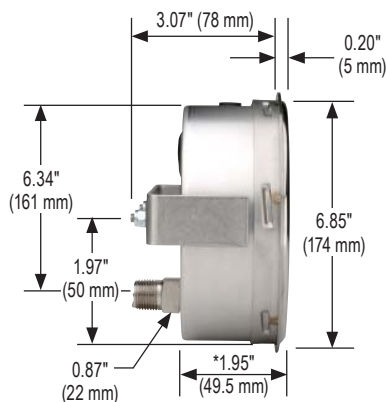
60-410 Rear Flange



40-410/510 SS Bezel w/U-Clamp



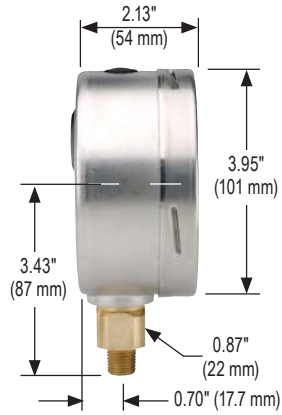
60-410 SS Bezel w/U-Clamp



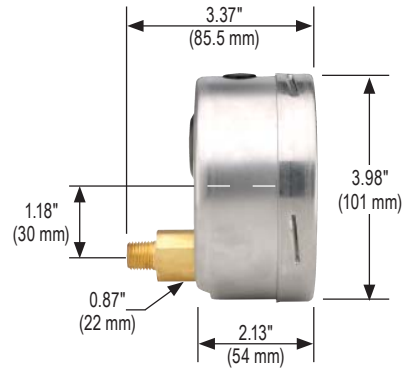
45-640 & 45-740



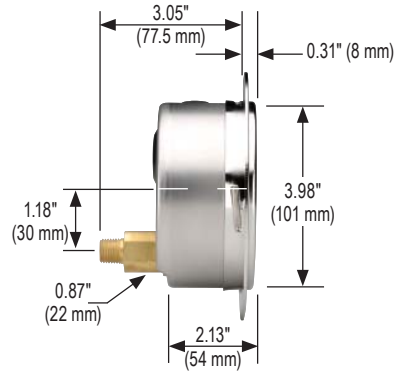
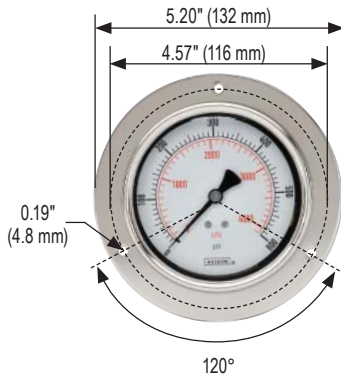
40-901



40-911



40-911 Front Flange



40-911 Rear Flange

