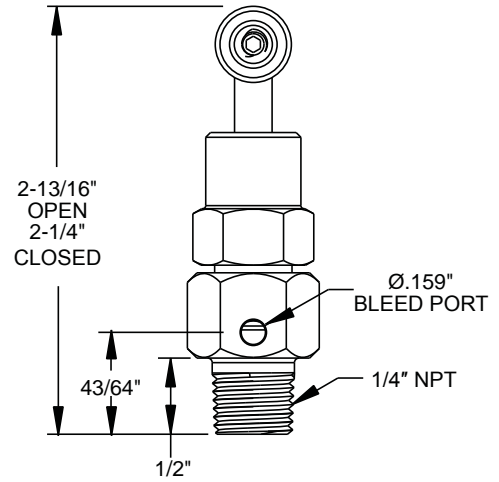
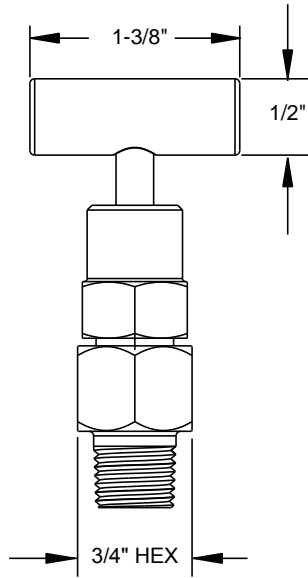
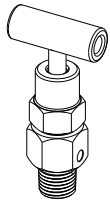
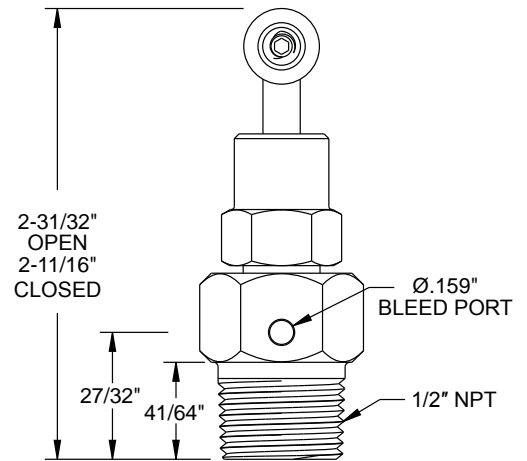
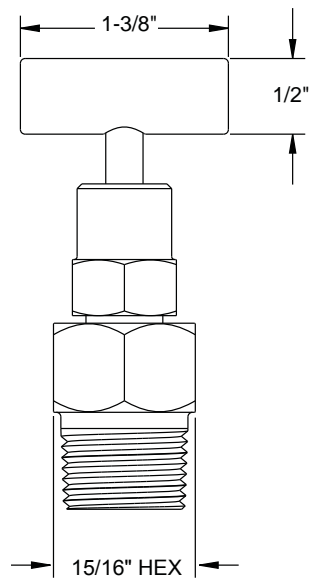
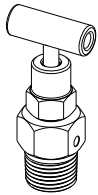


Dimensions

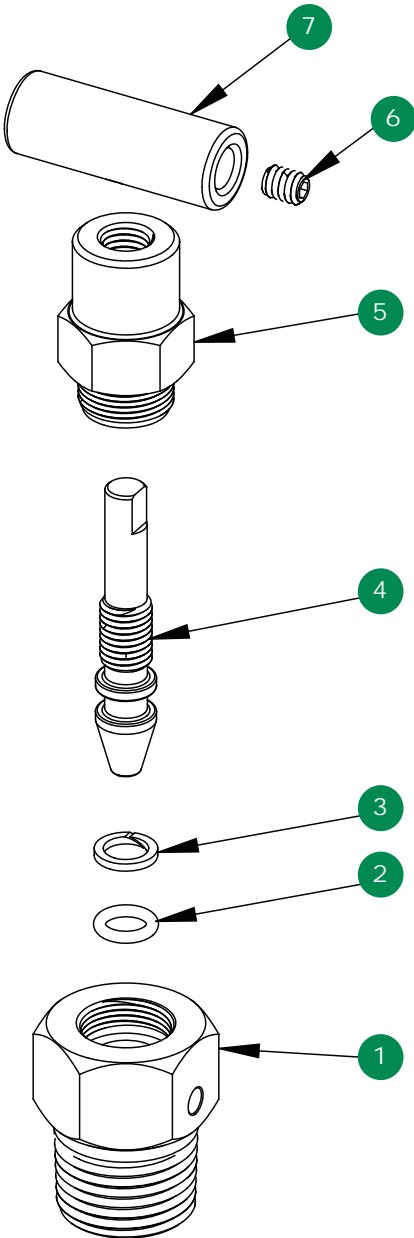
1/4" Bleed Valve



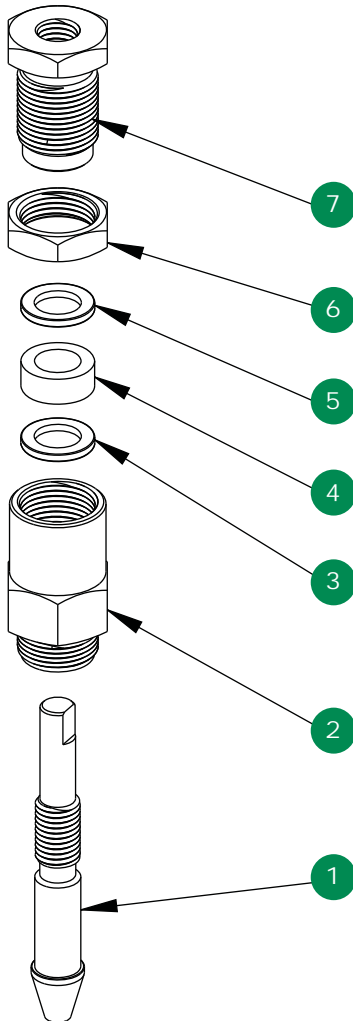
1/2" Bleed Valve



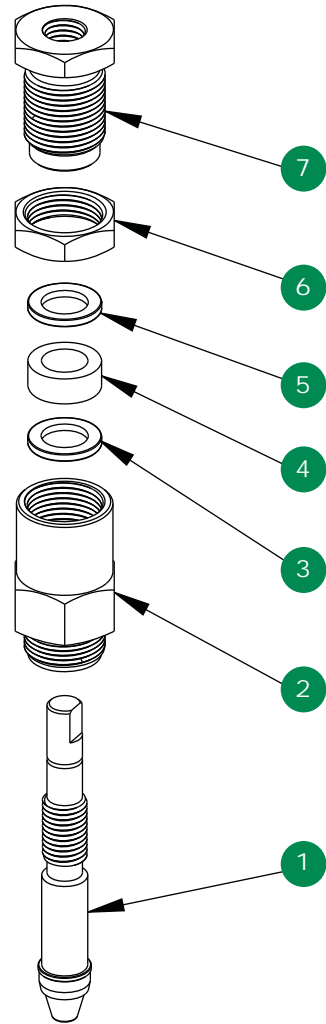
Bleed, Hard Seat Option With Packing, Hard Seat Option With Packing, Soft Tip



- 1 Valve body
- 2 FKM o-ring
- 3 PTFE back-up ring
- 4 Mini valve stem
- 5 Mini valve bonnet
- 6 Set screw
- 7 Mini "T" handle



- 1 Mini valve packing stem
- 2 Mini valve packing bonnet
- 3 Packing washer
- 4 Packing
- 5 Packing washer
- 6 Jam nut
- 7 Packing adjustment screw



- 1 Soft tip packing stem
- 2 Mini valve packing bonnet
- 3 Packing washer
- 4 Packing
- 5 Packing washer
- 6 Jam nut
- 7 Packing adjustment screw