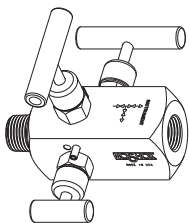
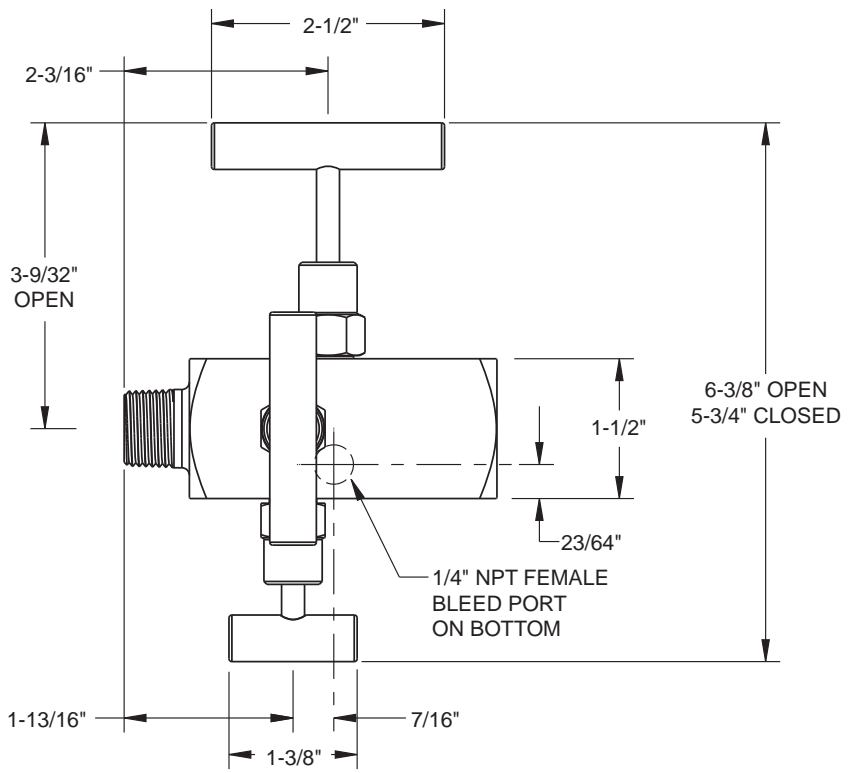


Dimensions

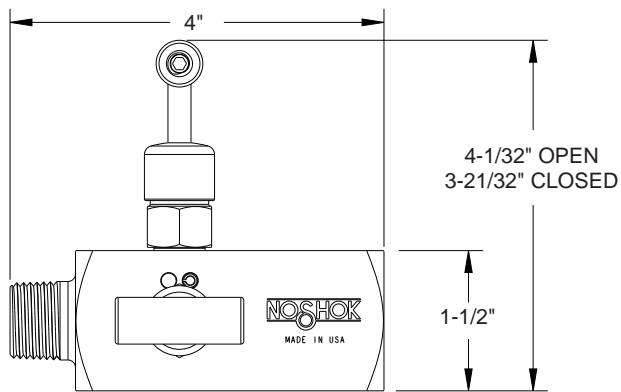
Male-Female



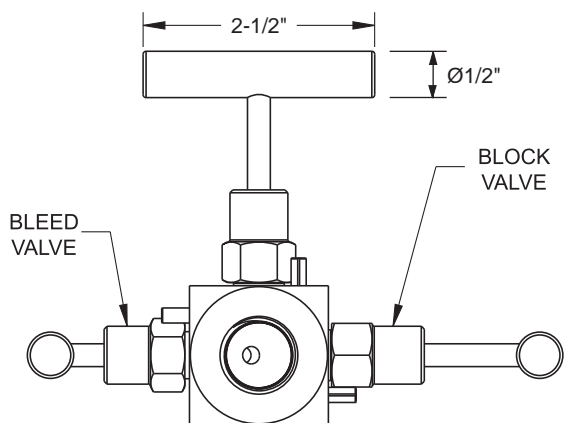
Top View



Front View



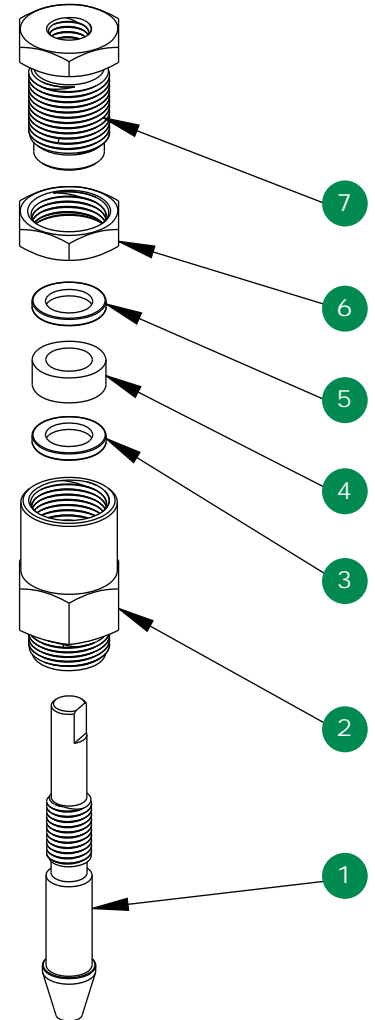
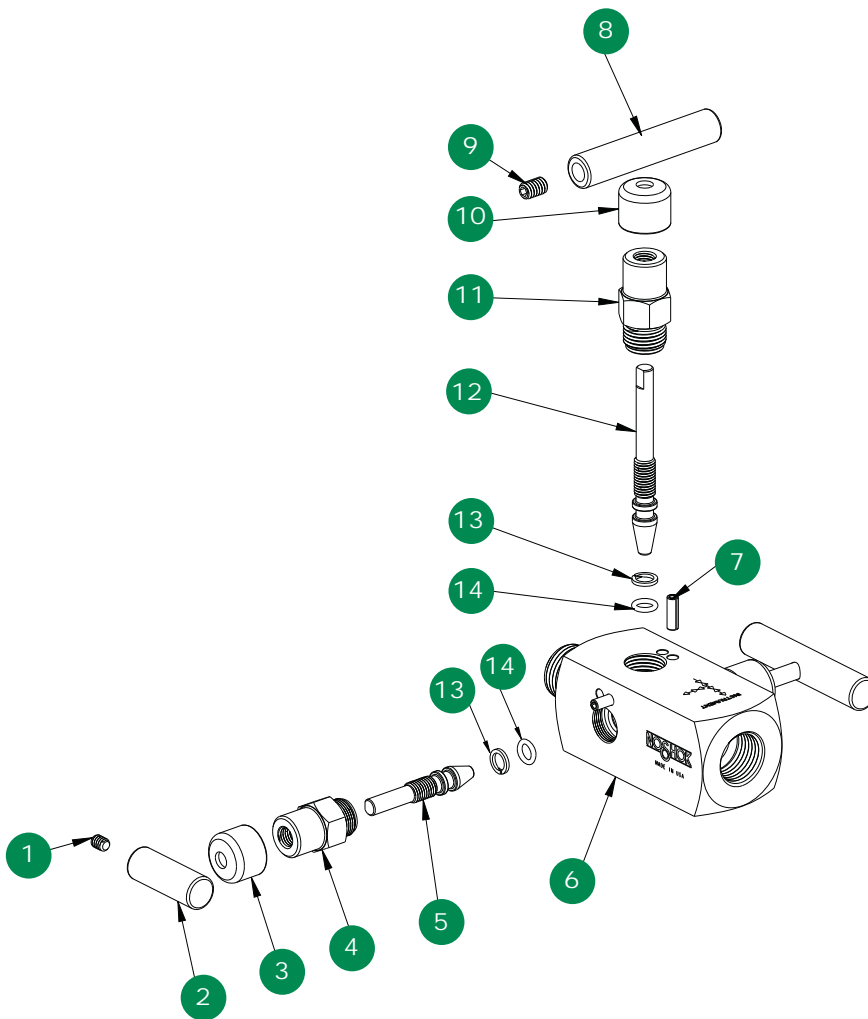
Side View



For panel mount, packing, & stem tip dimensions, see pgs. 64-67.

Double Block & Bleed, Hard Seat

Option With Packing



- 1 Set screw
- 2 Mini valve "T" handle
- 3 Red dust cap
- 4 Mini valve bonnet
- 5 Mini valve stem
- 6 Valve body
- 7 Slotted spring pin
- 8 Valve "T" handle
- 9 Set screw
- 10 Blue dust cap
- 11 Valve bonnet
- 12 Valve stem
- 13 PTFE back-up ring
- 14 FKM o-ring

- 1 Mini valve packing stem and valve packing stem
- 2 Mini valve packing bonnet and valve packing bonnet
- 3 Packing washer
- 4 Packing
- 5 Packing washer
- 6 Jam nut
- 7 Packing adjustment screw