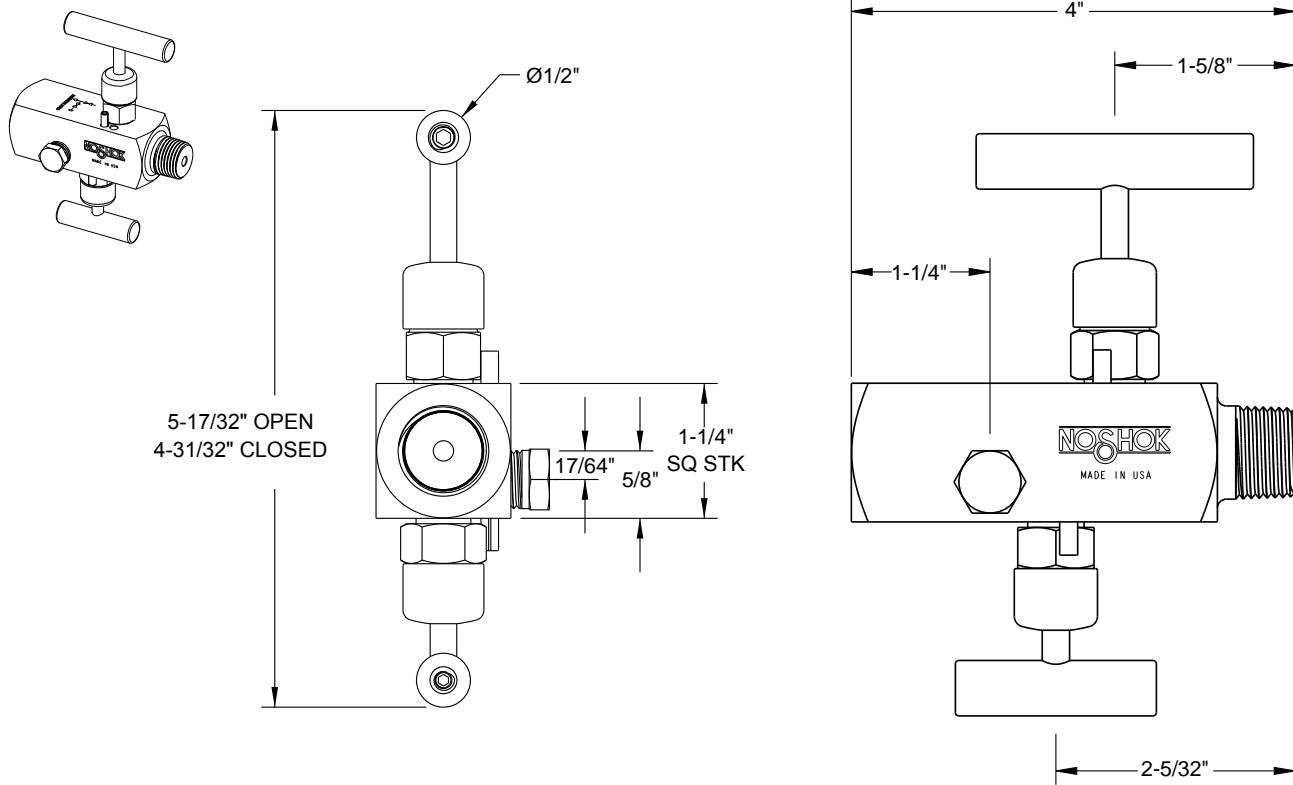
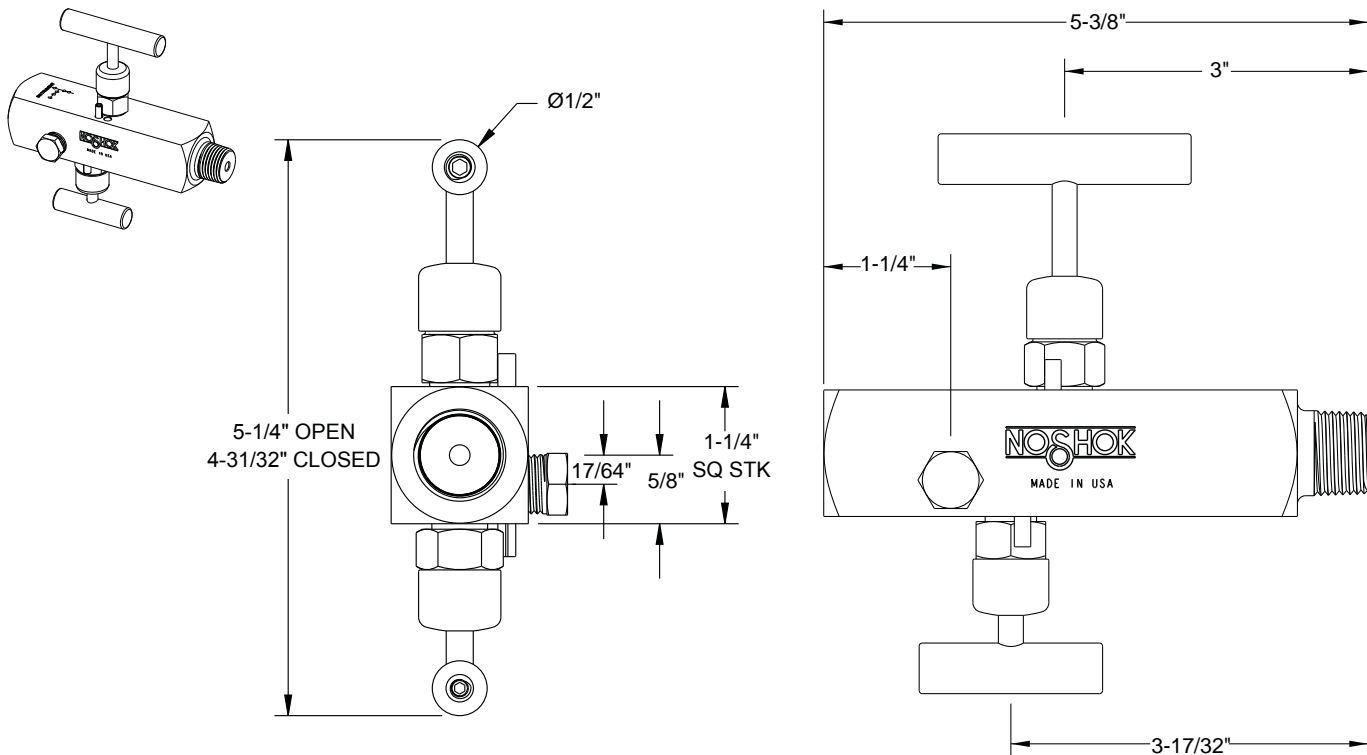


Dimensions

Male-Female

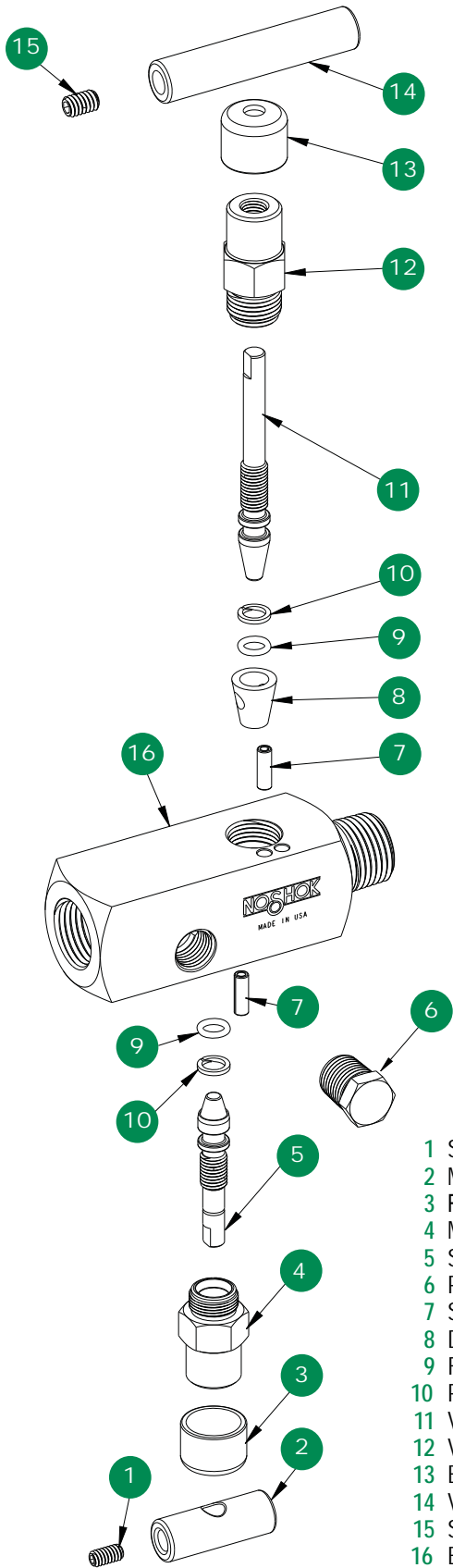


Extended Male-Female

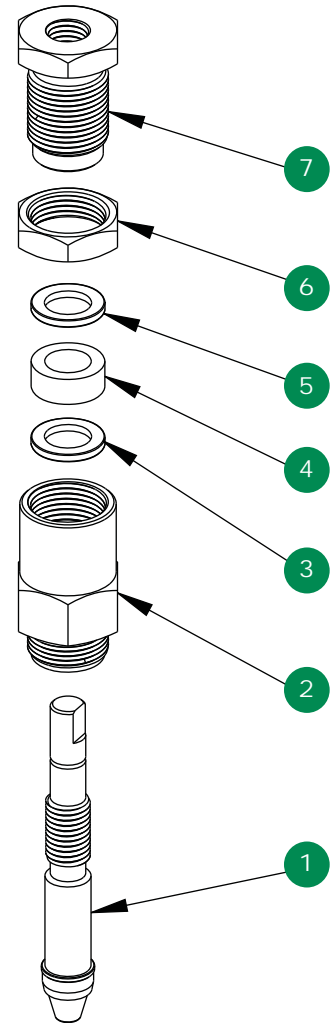


For panel mount, packing, & stem tip dimensions, see pgs. 64-67.

Block & Bleed, Soft Seat **Option With Packing**



- 1 Set screw
- 2 Mini valve "T" handle
- 3 Red dust cap
- 4 Mini valve bonnet
- 5 Soft tip stem
- 6 Plug
- 7 Slotted spring pin
- 8 Delrin® seat
- 9 FKM o-ring
- 10 PTFE back-up ring
- 11 Valve stem
- 12 Valve bonnet
- 13 Blue dust cap
- 14 Valve "T" handle
- 15 Set screw
- 16 Block and bleed valve body



- 1 Soft tip packing stem and valve packing stem
- 2 Mini valve packing bonnet and valve packing bonnet
- 3 Packing washer
- 4 Packing
- 5 Packing washer
- 6 Jam nut
- 7 Packing adjustment screw