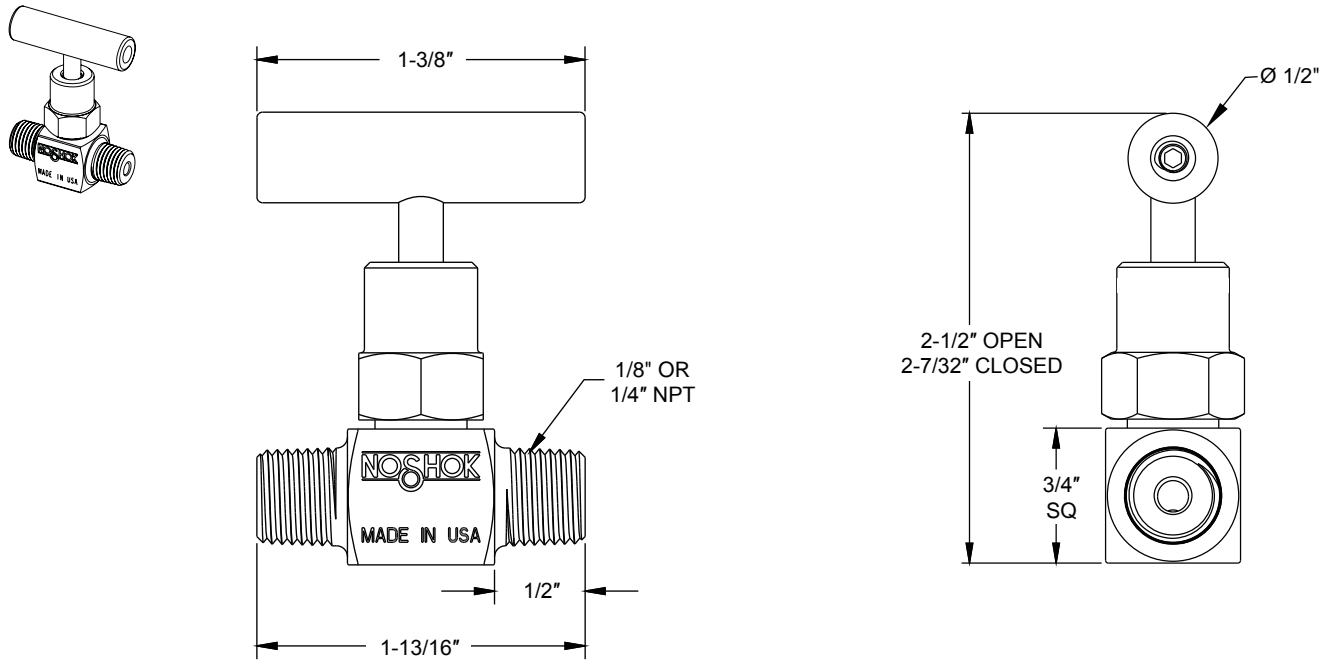
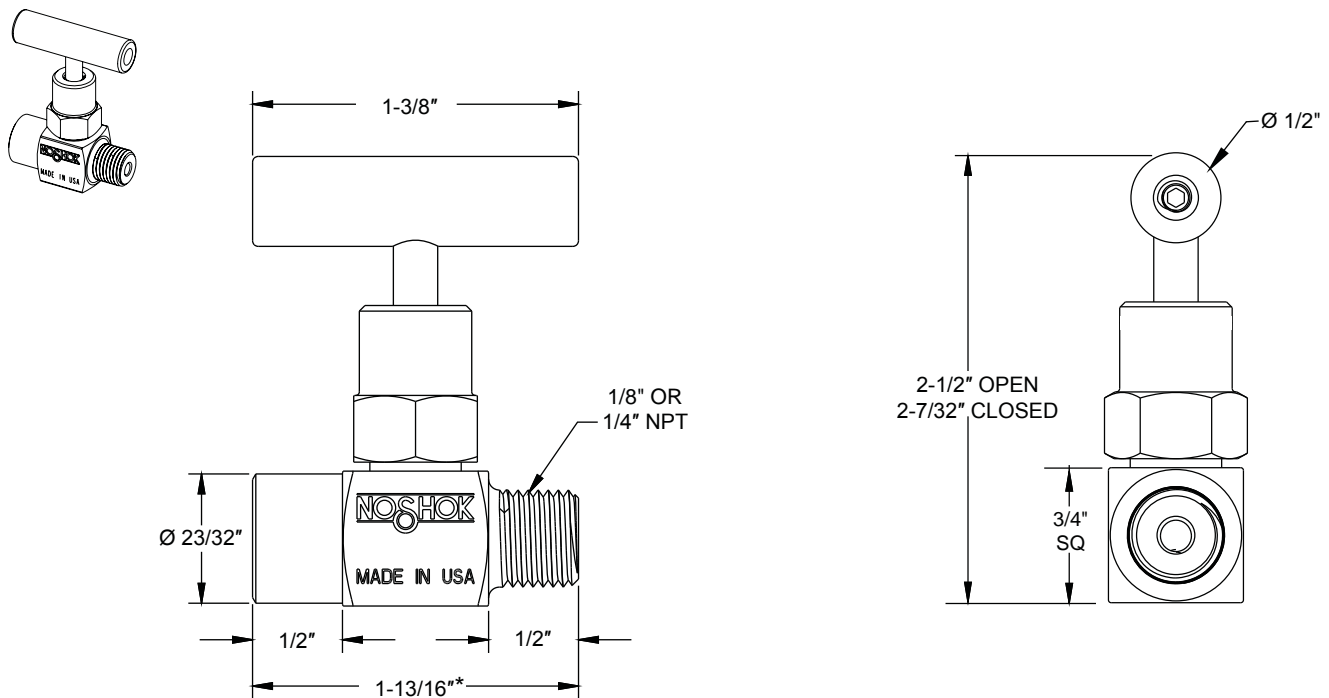


# Dimensions

## Male-Male

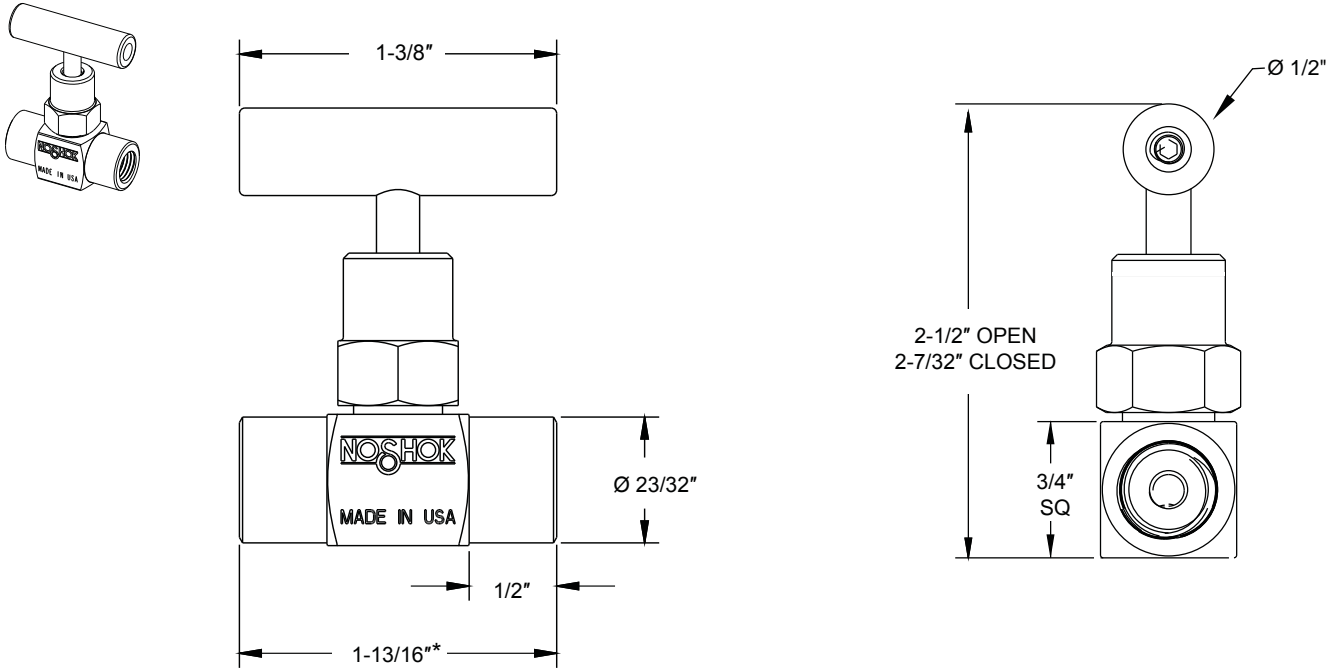


## Male-Female



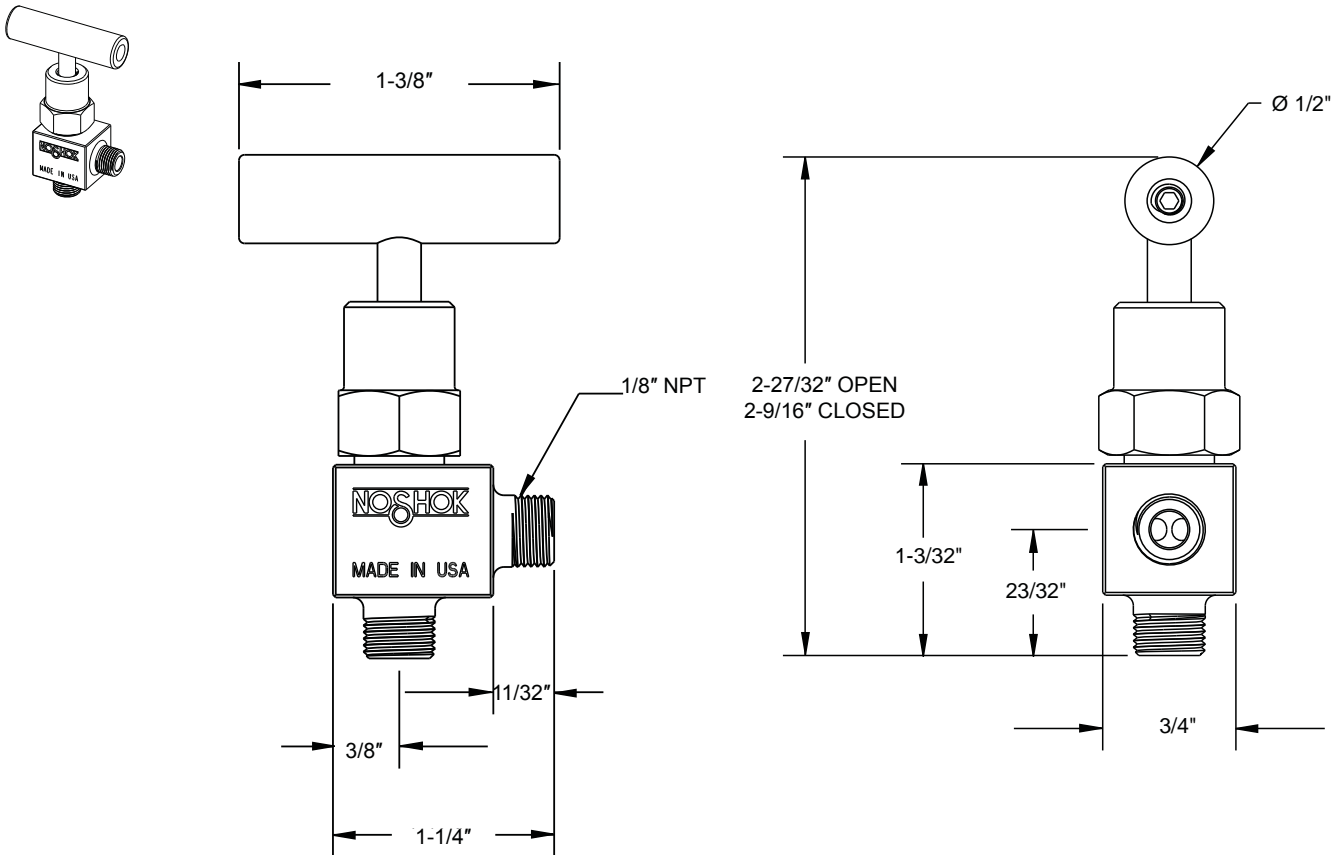
\*Dimension on extended version is  $2\text{-}\frac{1}{4}$ "

**Female-Female**



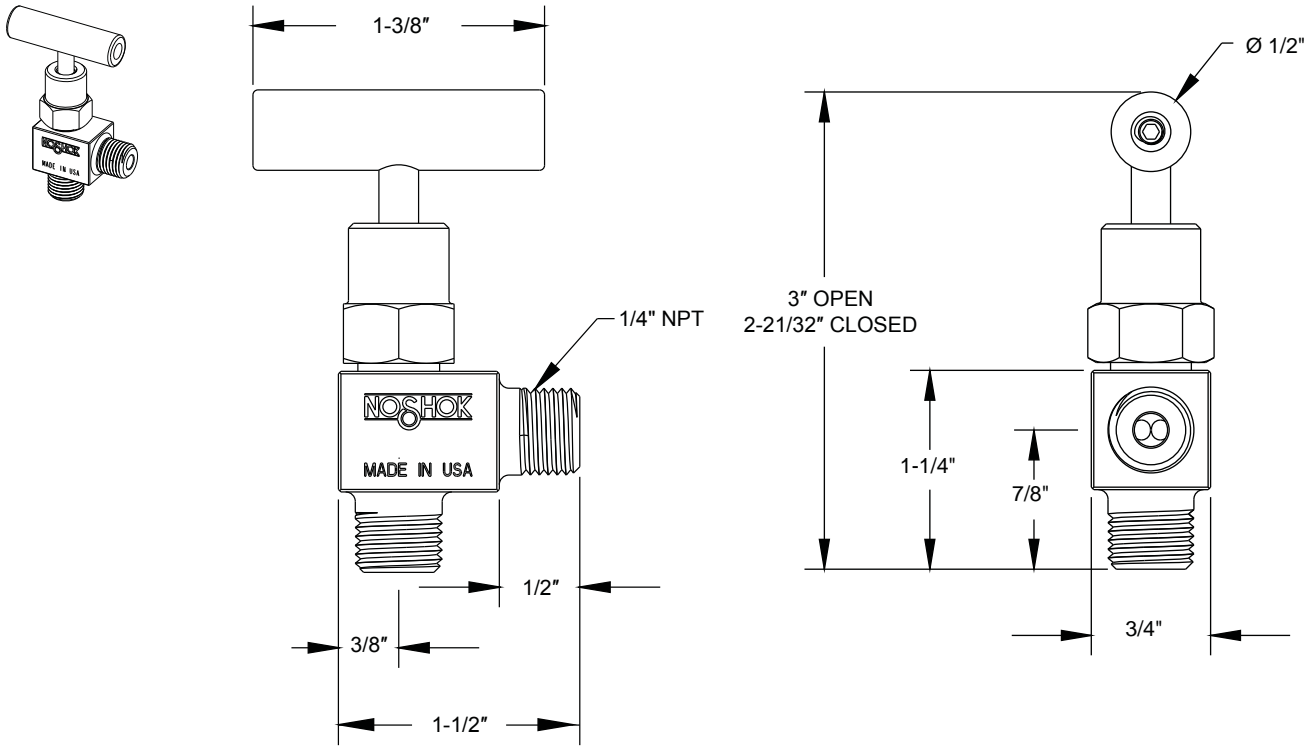
\*Dimension on extended version is  $2\text{-}1/4"$

**1/8" Male-Male Angle**

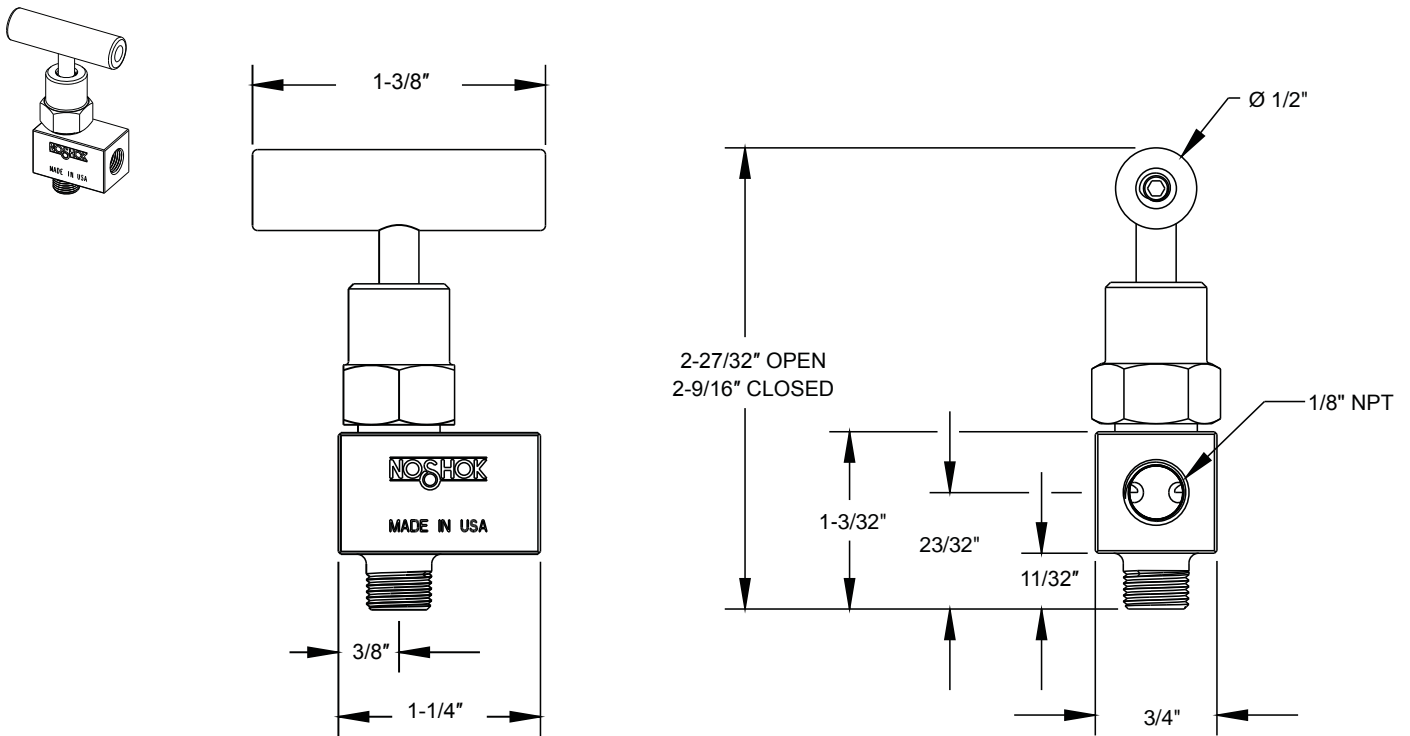


# Dimensions

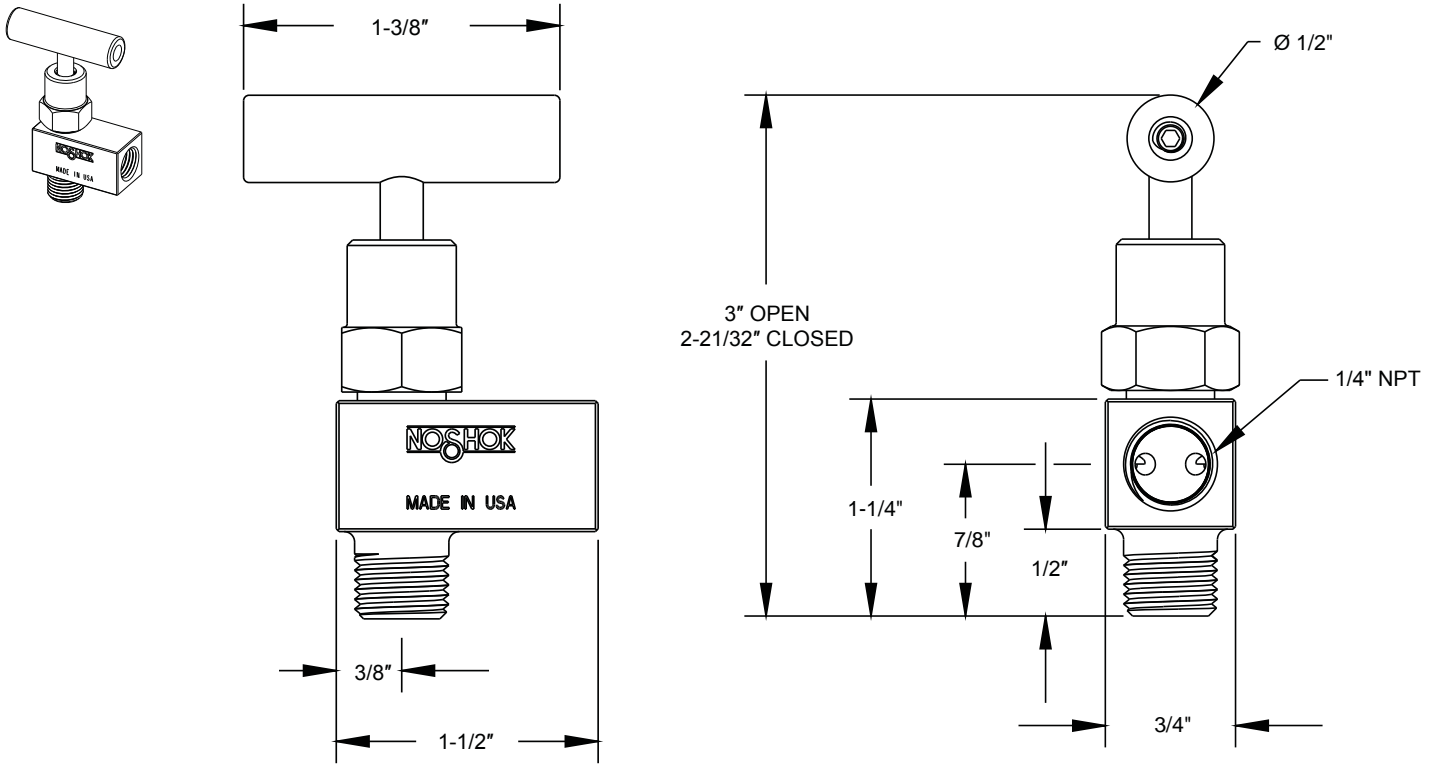
## 1/4" Male-Male Angle



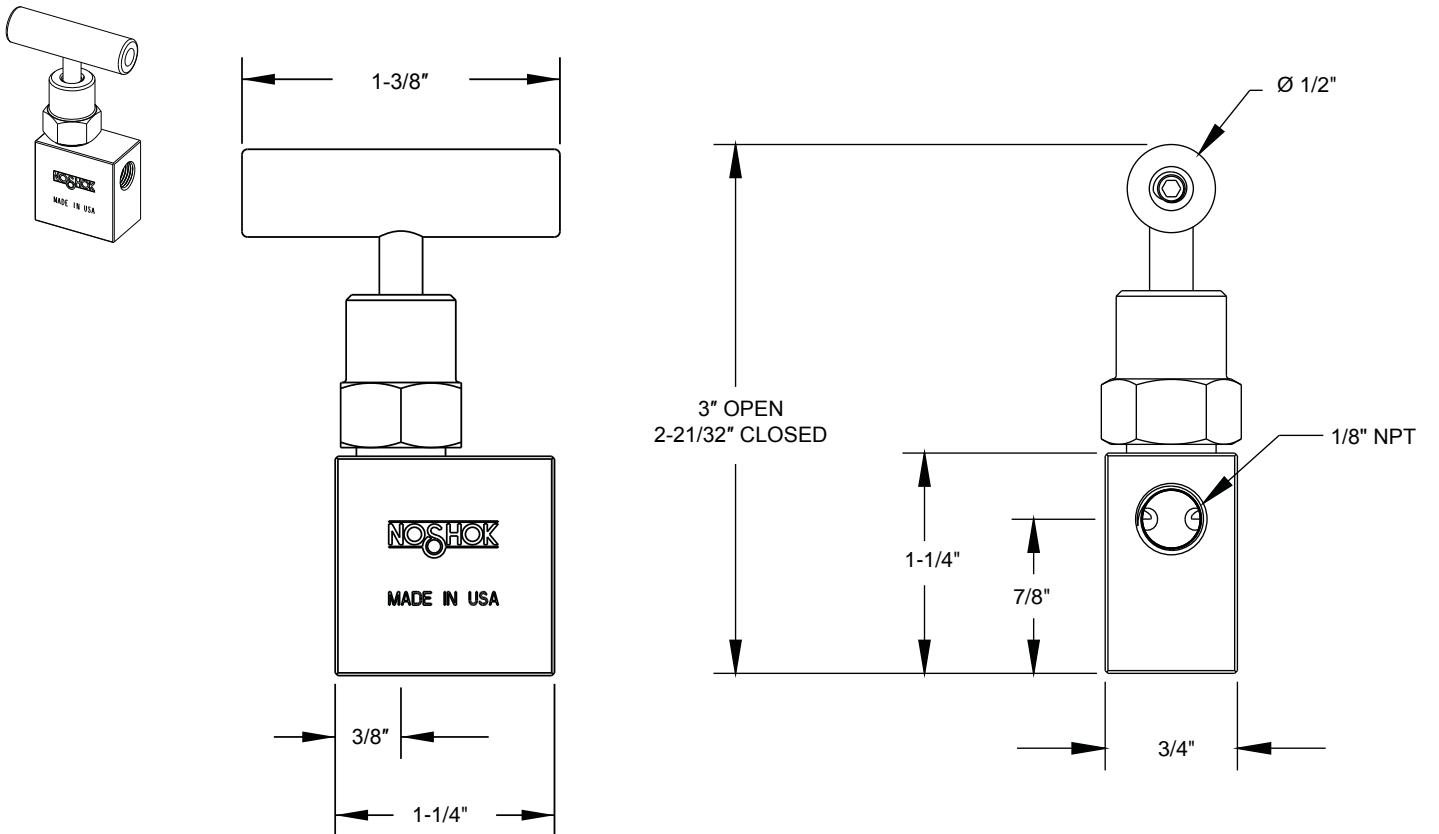
## 1/8" Male-Female Angle



**1/4" Male-Female Angle**

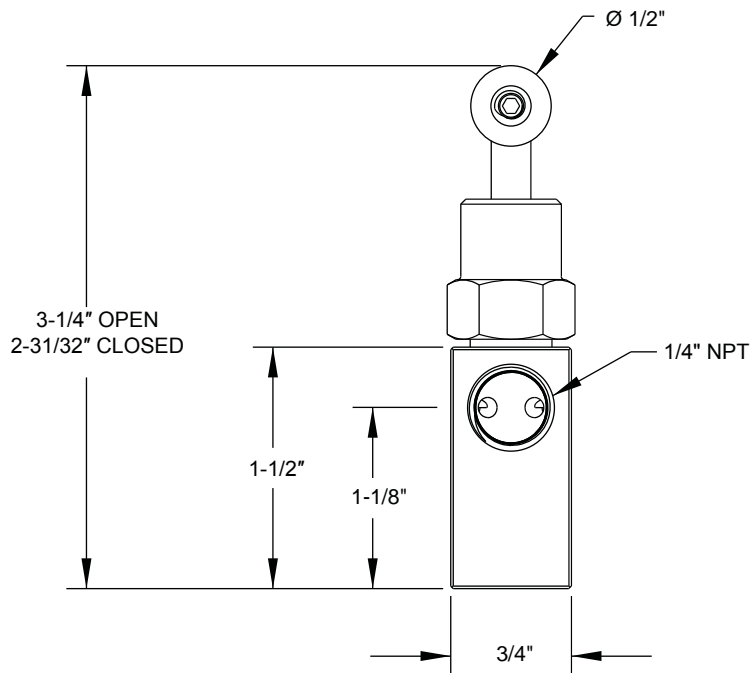
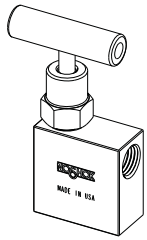


**1/8" Female-Female Angle**

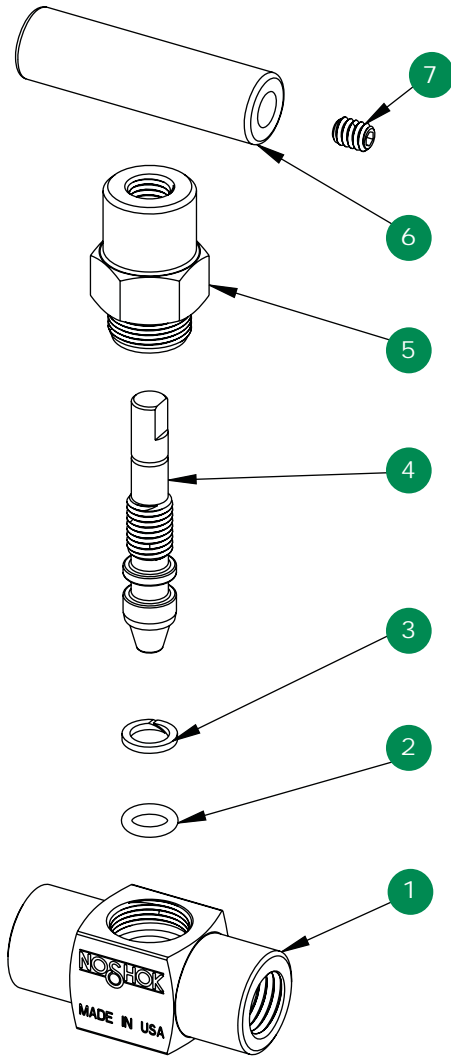


# Dimensions

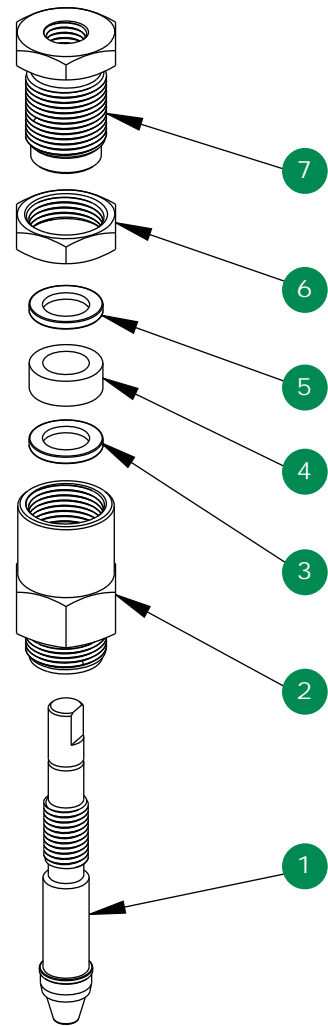
## 1/4" Female-Female Angle



**Mini, Soft Tip** **Option With Packing**



- 1 Mini valve body
- 2 FKM o-ring
- 3 PTFE back-up ring
- 4 Soft tip stem
- 5 Mini valve bonnet
- 6 Mini valve "T" handle
- 7 Set screw



- 1 Soft tip packing stem
- 2 Mini valve packing bonnet
- 3 Packing washer
- 4 Packing washer
- 5 Packing washer
- 6 Jam nut
- 7 Packing adjustment screw