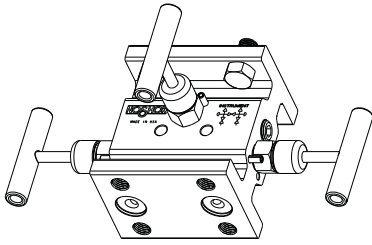
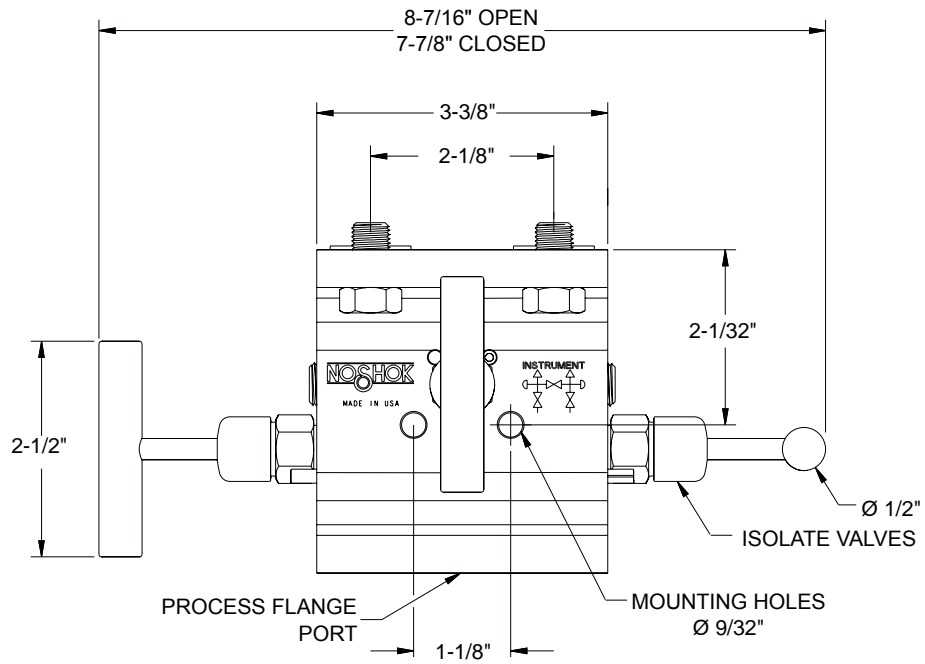


Dimensions

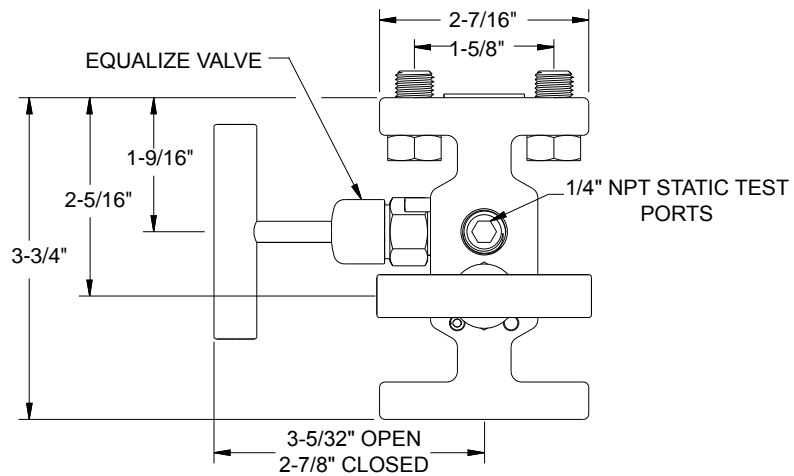
Flange-Flange



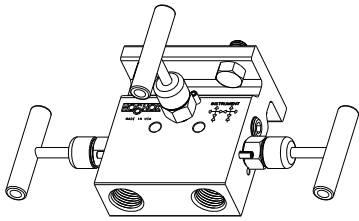
Top View



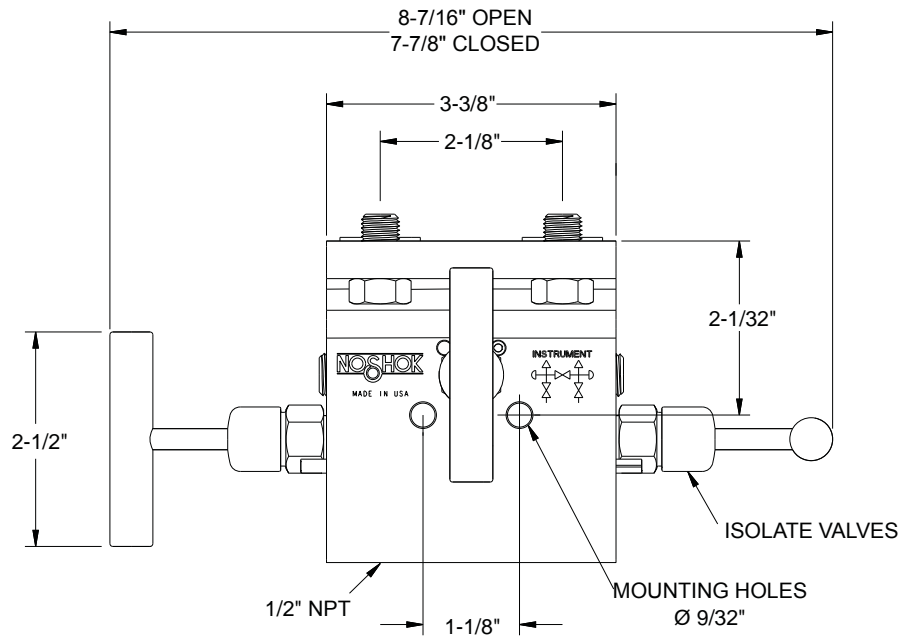
Side View



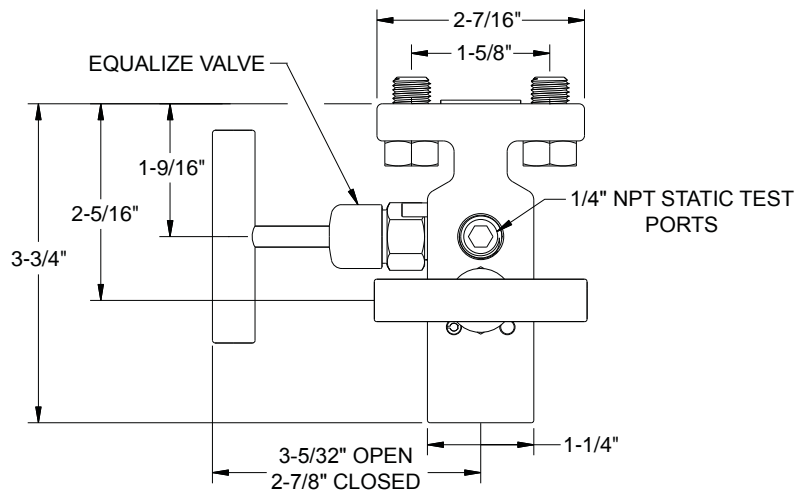
Flange-Female



Top View

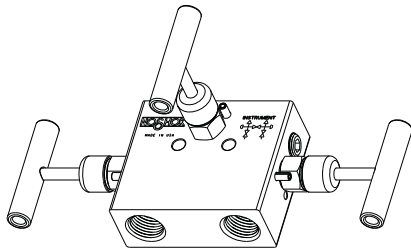


Side View

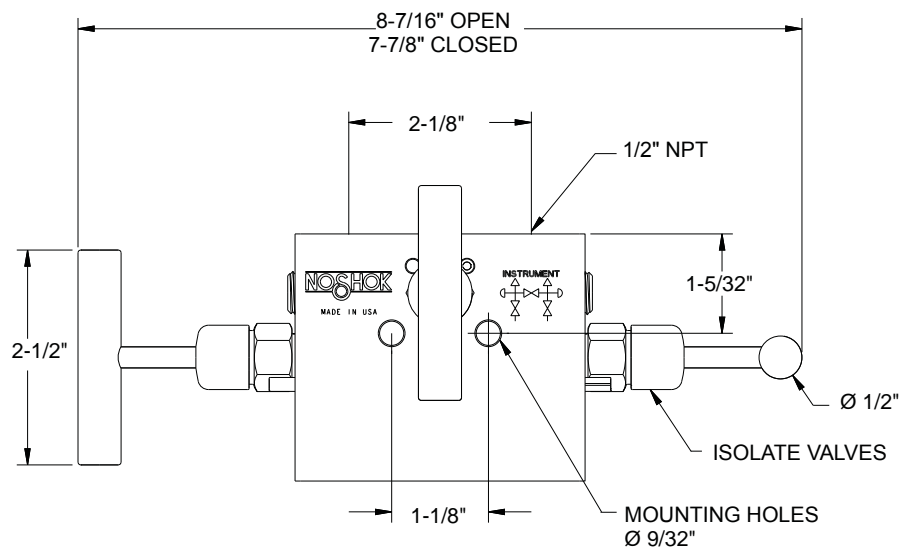


Dimensions

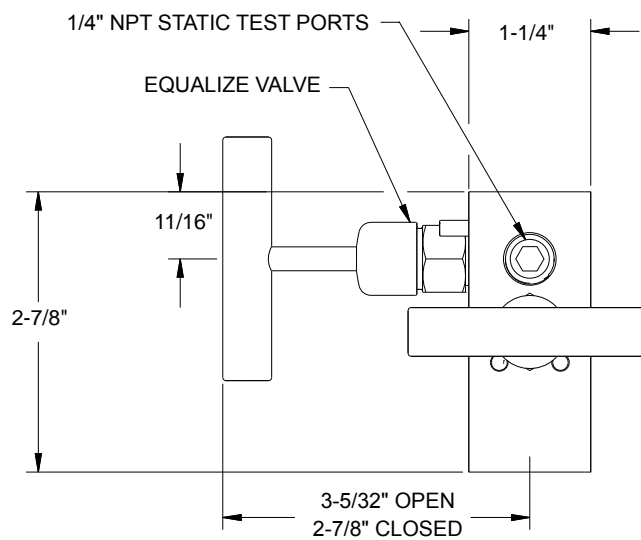
Female-Female



Top View



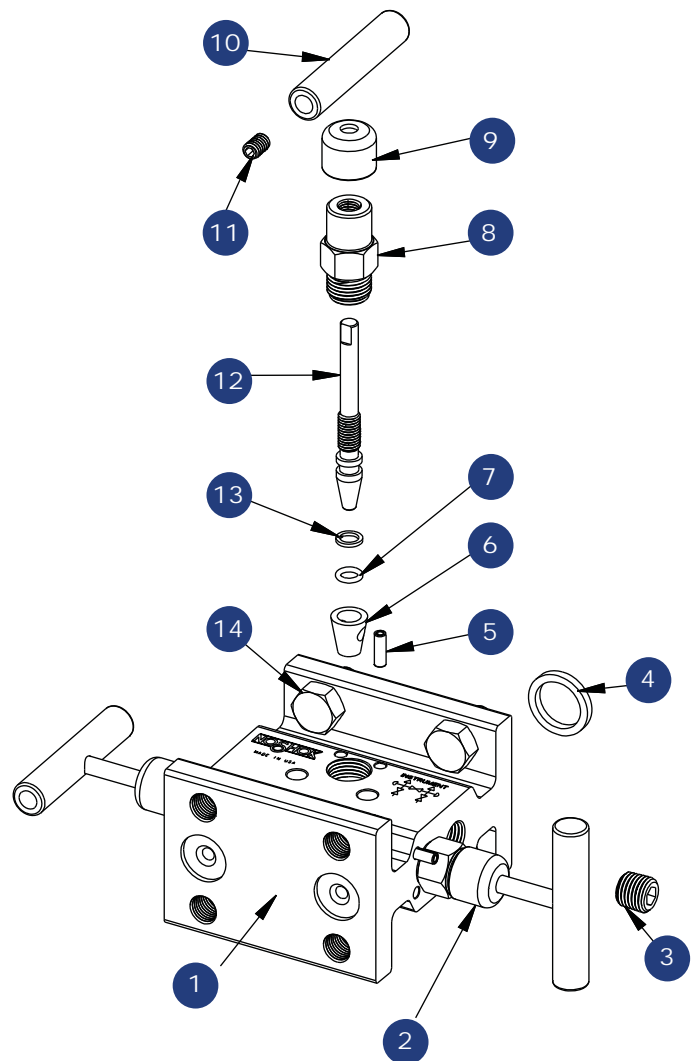
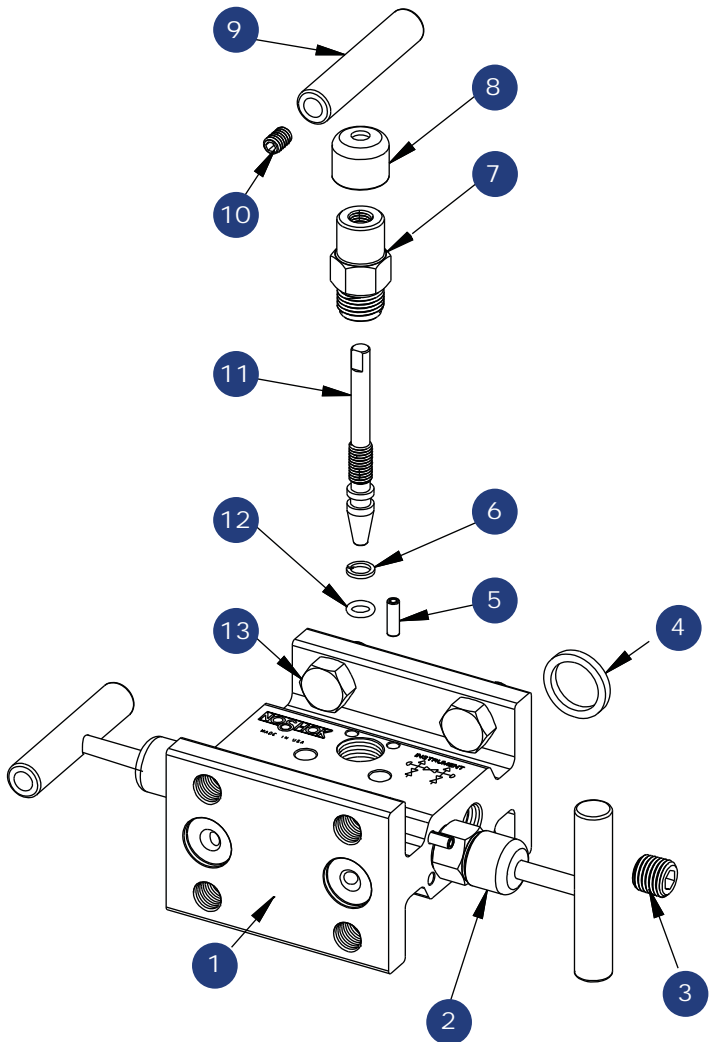
Side View



For panel mount and packing dimensions, see pgs. 64-65.

Hard Seat

Soft Seat



- 1 Valve body
- 2 Blue dust cap
- 3 Plug
- 4 Gasket ring
- 5 Slotted spring pin
- 6 PTFE back-up ring
- 7 Valve bonnet
- 8 Green dust cap
- 9 Valve "T" handle
- 10 Set screw
- 11 Valve stem
- 12 FKM o-ring
- 13 Head bolt

- 1 Valve body
- 2 Blue dust cap
- 3 Plug
- 4 Gasket ring
- 5 Slotted spring pin
- 6 Delrin® seat
- 7 FKM o-ring
- 8 Valve bonnet
- 9 Green dust cap
- 10 Valve "T" handle
- 11 Set screw
- 12 Valve stem
- 13 PTFE back-up ring
- 14 Head bolt