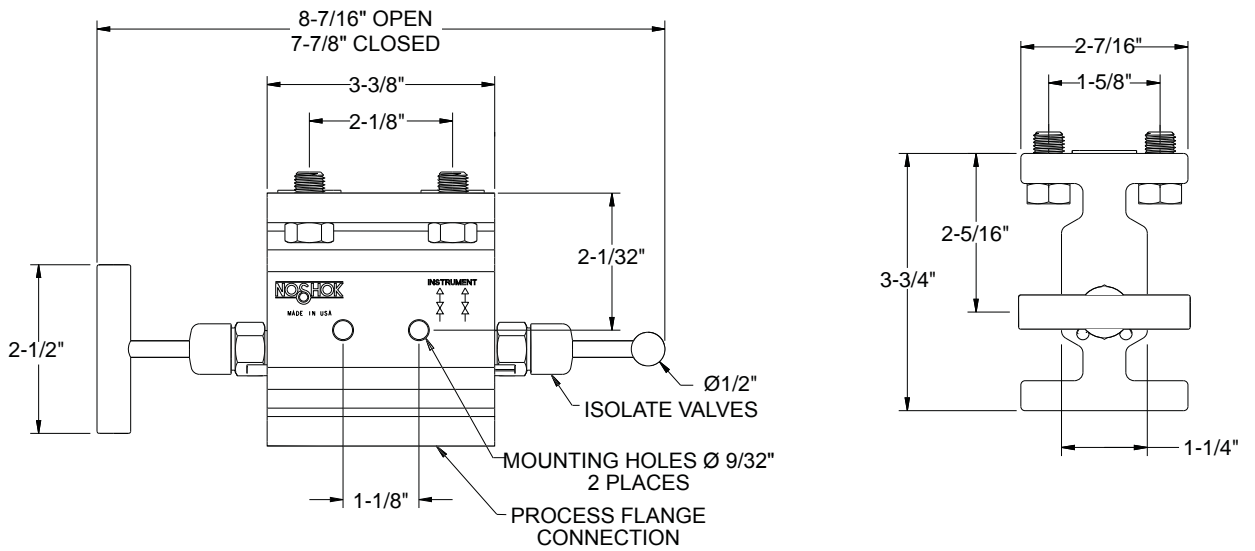
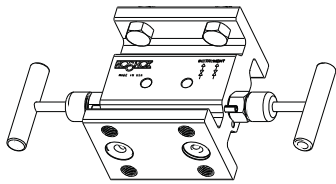
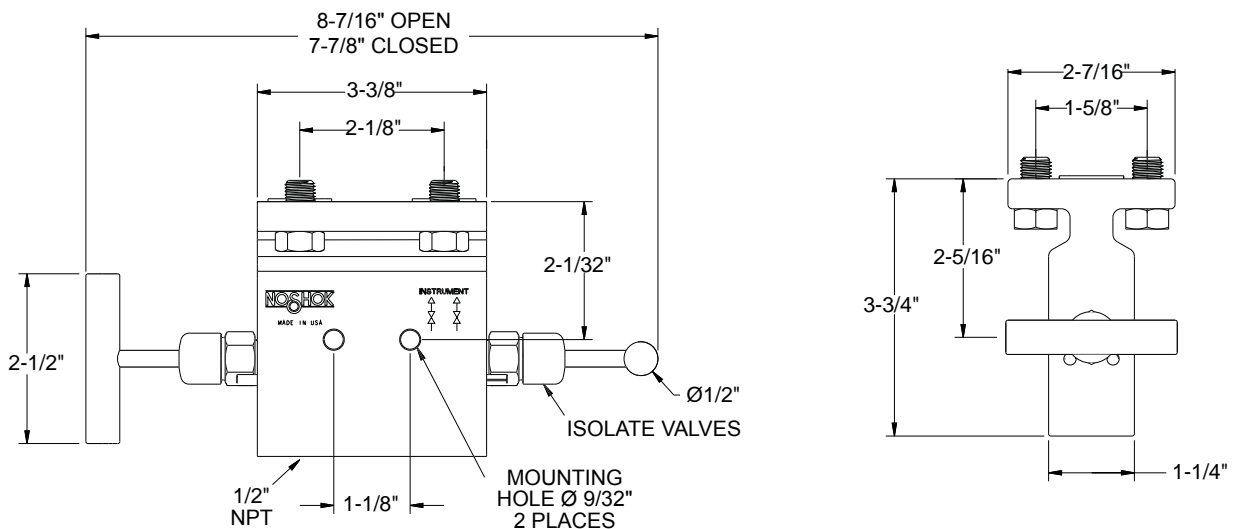
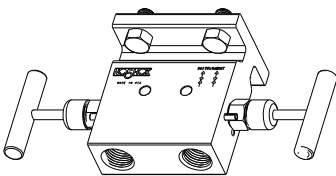


Dimensions

Flange-Flange

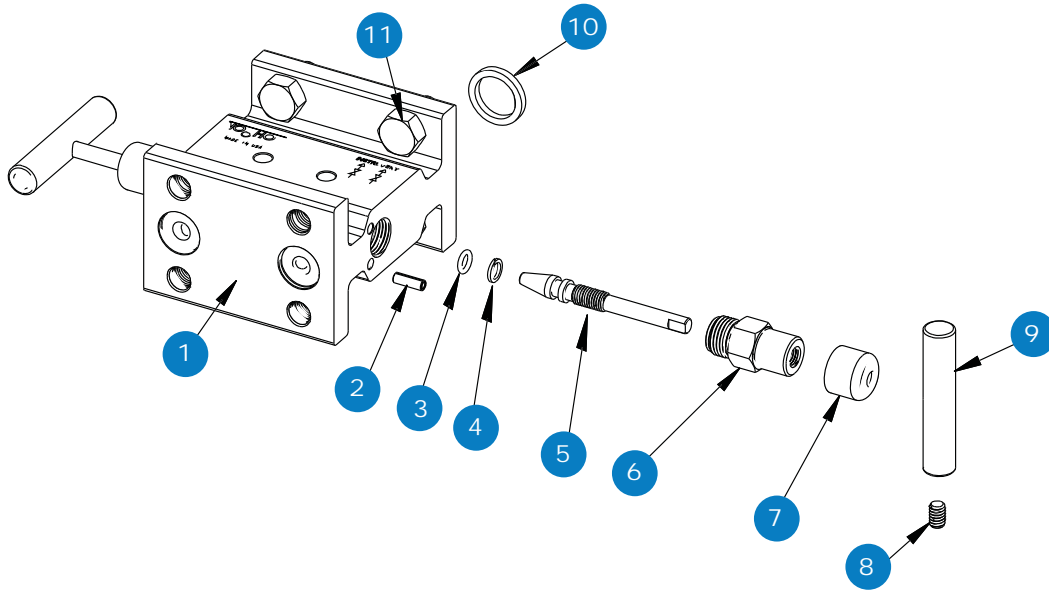


Flange-Female



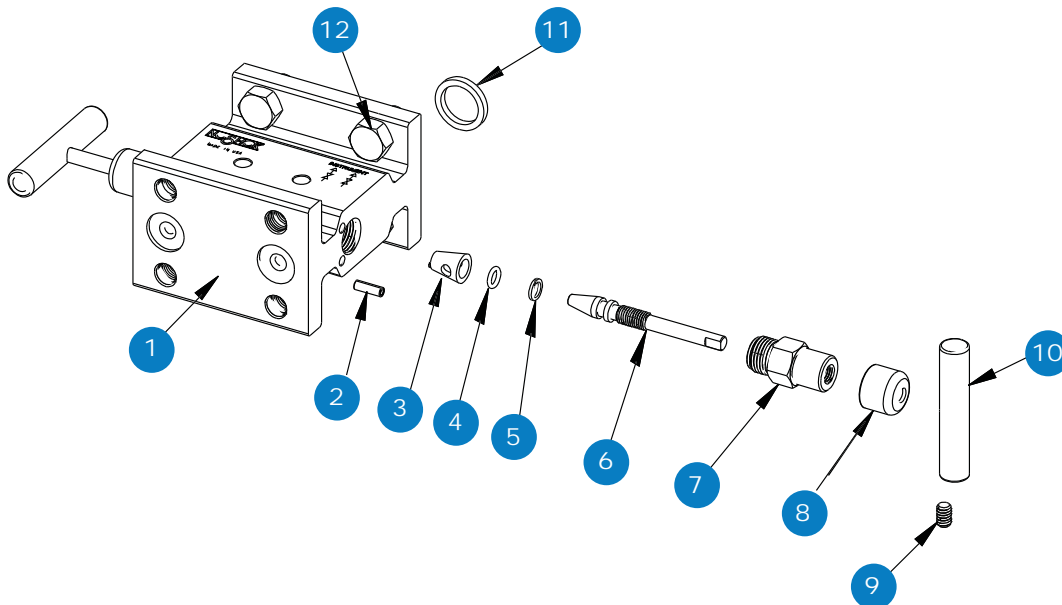
For panel mount and packing dimensions, see pgs. 64-65.

Hard Seat



- 1 Valve body
- 2 Slotted spring pin
- 3 FKM o-ring
- 4 PTFE back-up ring
- 5 Valve stem
- 6 Valve bonnet
- 7 Blue dust cap
- 8 Set screw
- 9 Valve "T" handle
- 10 Gasket ring
- 11 Head bolt

Soft Seat



- 1 Valve body
- 2 Slotted spring pin
- 3 Delrin® seat
- 4 FKM o-ring
- 5 PTFE back-up ring
- 6 Valve stem
- 7 Valve bonnet
- 8 Blue dust cap
- 9 Set screw
- 10 Valve "T" handle
- 11 Gasket ring
- 12 Head bolt