

Stabilized With Integral Block Valve

SV SERIES



Note: Shown with flange adaptor for round installations.

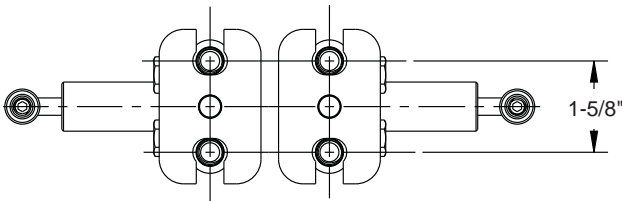
- Block valve can be installed on either side of stabilized body, allowing 1/2 turn installation
- Slotted bolt holes allow for 2-1/8" and 2-1/4" bolt spacings
- Designed to reinforce the entire installation by shifting radial-stress load away from the NPT connections
- 0.375" bore for unrestricted passage of process gas
- Non-rotating stem tip standard on block valves
- Blow-out proof stem provides a secondary stem seal in the full open position
- Features a replaceable Delrin® seat, and straight through porting for bidirectional, high capacity flow and easy roddable cleaning on the block valves
- Metal body-to-bonnet and body-to-flange plug with secondary o-ring seals
- FKM o-ring seal and PTFE back-up ring below the stem threads to protect from corrosion and galling
- Includes PTFE gaskets and carbon steel bolts for manifold installation
- Optional dielectric barrier creates a non-conductive shield between the instrument and the orifice fitting

SPECIFICATIONS

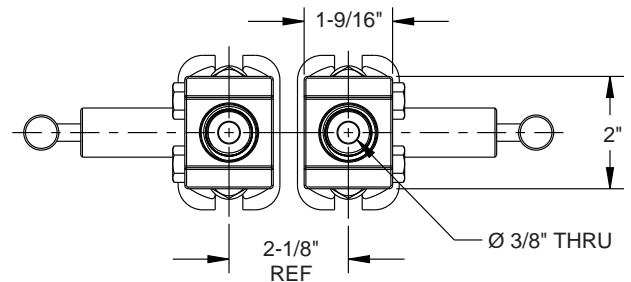
Materials	Zinc-nickel plated carbon steel, 316 stainless steel
Bolts	Carbon Steel
Connection	1/2" NPT-flange
Pressure rating	6,000 psi at 200 °F
Orifice	0.375"
Flow coefficient	C _v 3.0
Stem seal & type	All 316 stainless steel stems with FKM o-ring and PTFE back-up ring below the threads
Weight	Approximately 10.6 lb. (pair)

Stabilized Connector with Integral Block Valve

Top View



Bottom View



ORDERING INFORMATION			
SERIES	SV	Stabilized connector with integral block valve	
MATERIALS	C	Steel	S Stainless steel
CONNECTOR TYPES	1	Stabilized connector pair with integral valve*	2 Stabilized connector pair with integral valve, flange adaptor**
OPTIONS†	DK1	One Piece Dielectric Gasket, Pair	DK2 PTFE Gasket with Dielectric Shim, Pair
	DK1-SS	One Piece Dielectric Gasket, Pair w/SS Bolts	DK2-SS PTFE Gasket with Dielectric Shim, Pair w/SS Bolts

Please consult your local NOSHOK Distributor or NOSHOK, Inc. for availability and delivery information.

† For more information on Dielectric Kits, see page 140

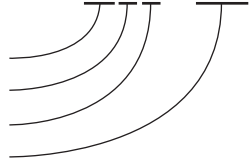
* For flat installations (orifice fitting)

** For round installations (orifice flange)

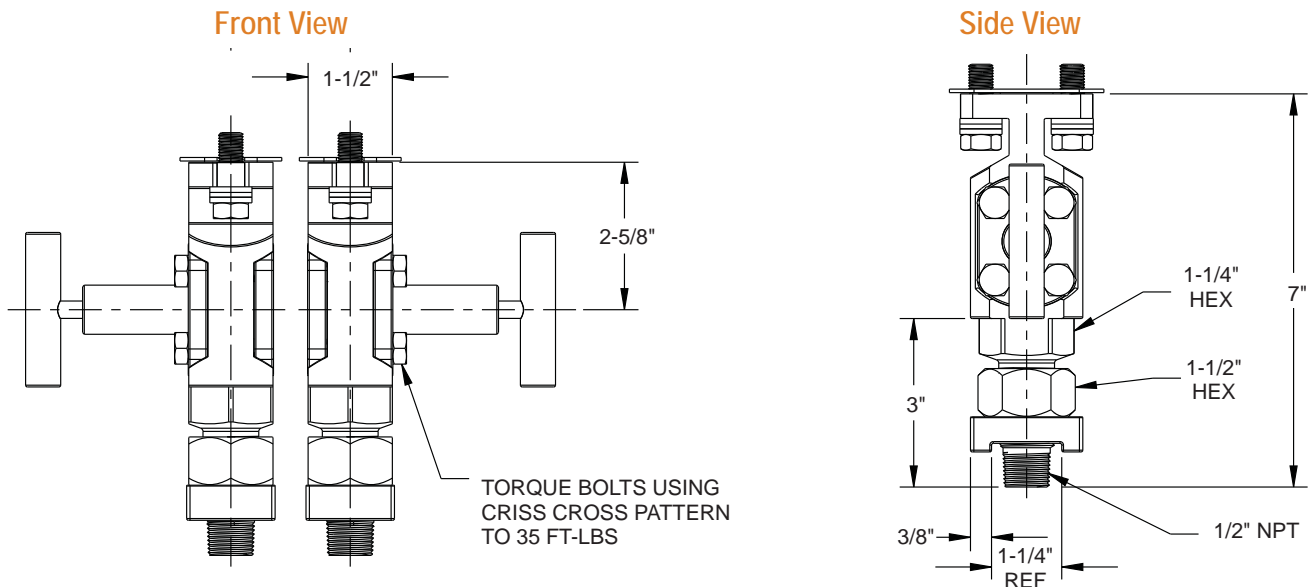
EXAMPLE

Series.....Connector with integral block valve
 Material.....Steel
 Connector type..... Stabilized connector pair with integral valve
 Option..... One piece Dielectric gasket, pair

SVC1 - DK1

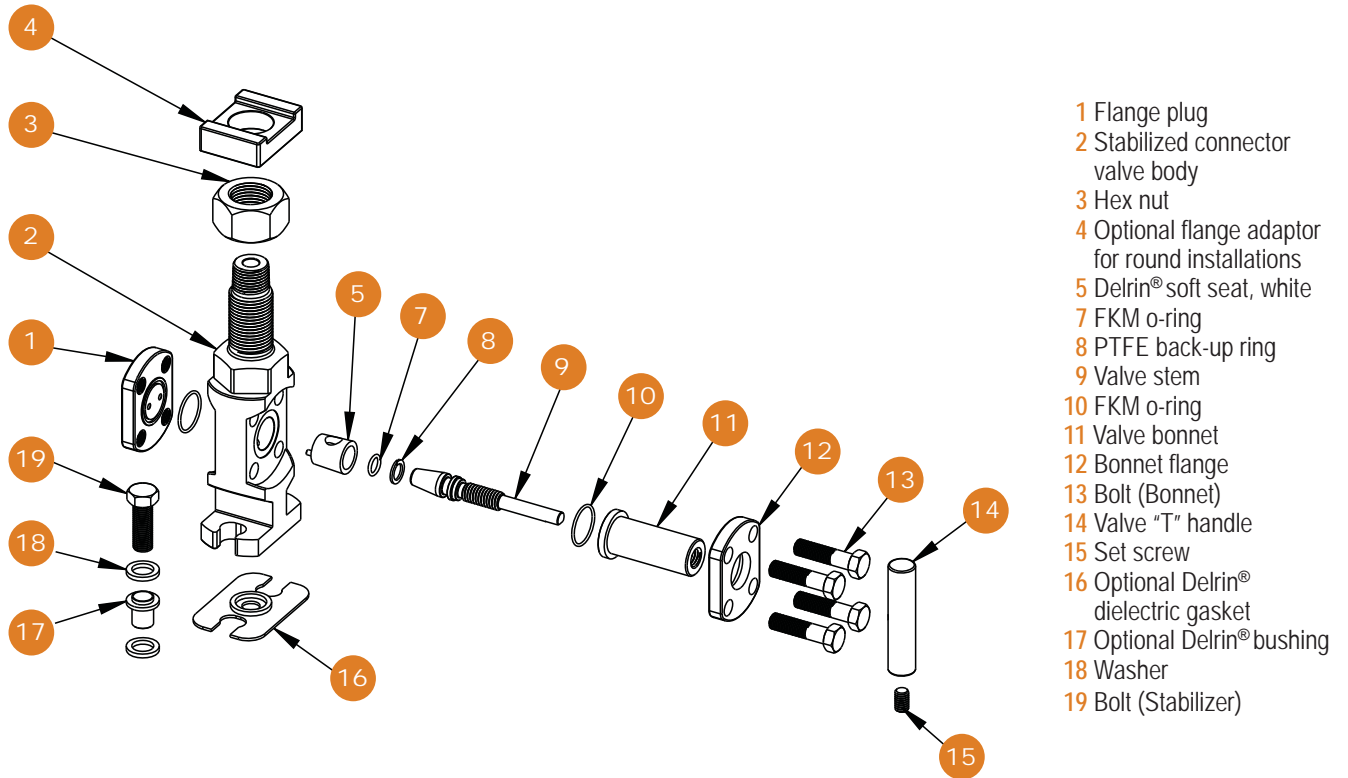


Stabilized Connector with Integral Block Valve



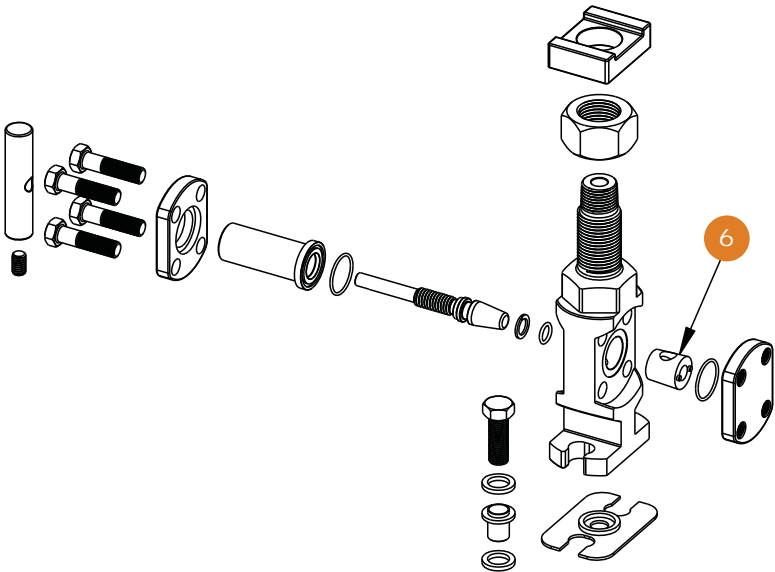
Dimensions

Stabilized Connector with Integral Block Valve



- 1 Flange plug
- 2 Stabilized connector valve body
- 3 Hex nut
- 4 Optional flange adaptor for round installations
- 5 Delrin® soft seat, white
- 7 FKM o-ring
- 8 PTFE back-up ring
- 9 Valve stem
- 10 FKM o-ring
- 11 Valve bonnet
- 12 Bonnet flange
- 13 Bolt (Bonnet)
- 14 Valve "T" handle
- 15 Set screw
- 16 Optional Delrin® dielectric gasket
- 17 Optional Delrin® bushing
- 18 Washer
- 19 Bolt (Stabilizer)

Optional Assembly With Soft Seat Installed on Opposite Side Of Valve



6 Delrin® soft seat, black