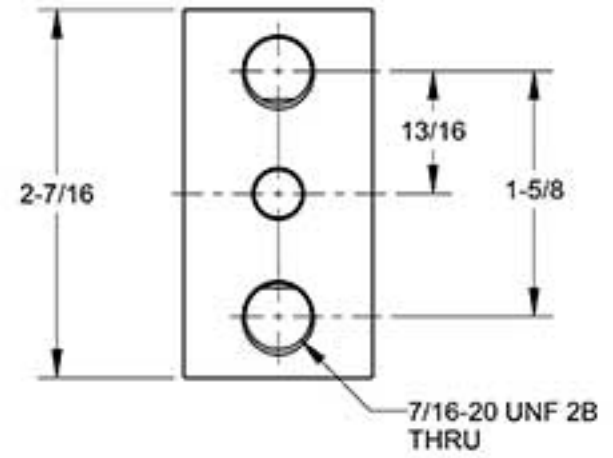
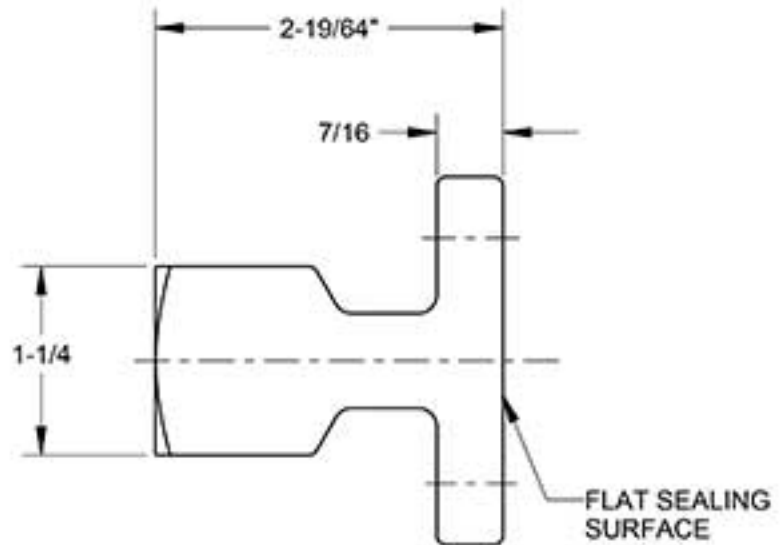
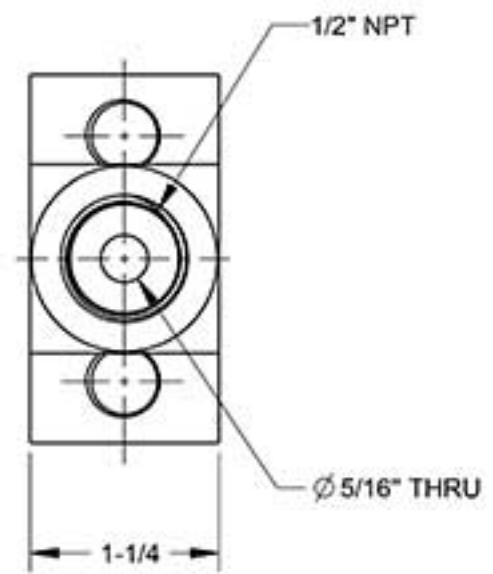
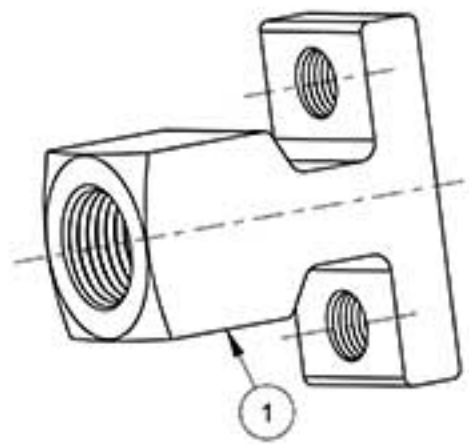
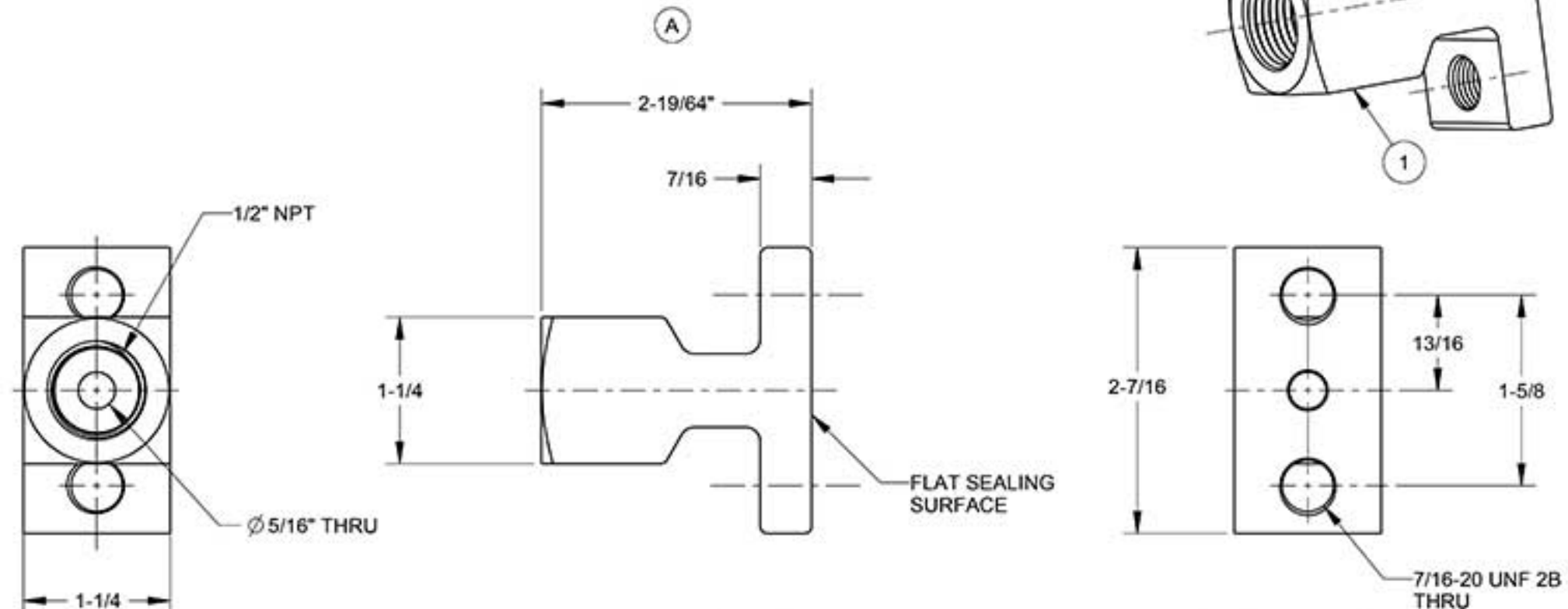


ITEM	QTY	PART NUMBER	DESCRIPTION	MATERIAL	FINISH	DRAWING
1	1	04AB-1-BD2-SS1-EP	STATIC ADAPTOR BODY	316 ST STL	ELECTROPOLISHED	20506



B	REMOVED BOLTS & GASKET	12/4/15		
A	UPDATED TITLE AND RENAMED	8/25/14	SAS-1	SEE TABLE
REV.	DESCRIPTION	ECN	DATE	PART NO. MATERIAL
TOLERANCES (UNLESS OTHERWISE SPECIFIED)		TITLE		
DECIMAL	FRACTIONAL	ANGULAR	STATIC ADAPTOR	
.XX = ±.010	± 1/64	± 30'	STAINLESS, FEMALE NPT	
.XXX = ±.005			FINISH 63	
<small>1916 WEST BAYLEY RD SHERA, OH 44117</small>  <small>MANUFACTURING INC.</small>		<small>THE COPYRIGHT OF THIS DRAWING IS THE PROPERTY OF NOSHOK MANUFACTURING INC. THIS DRAWING IS SUPPLIED IN CONFIDENCE AND MAY NOT BE USED FOR ANY OTHER PURPOSE OTHER THAN FOR WHICH IT IS SUPPLIED</small>		APPRV: ML CHK: ML DRN: DM
		REV: B	DATE: 10/30/06	DRAWING NUMBER
		SCALE: 1:1	20511	

ITEM	QTY	PART NUMBER	DESCRIPTION	MATERIAL	FINISH	DRAWING
1	1	04AB-1-BD2-CS18-ZN1	STATIC ADAPTOR BODY	A105 STL	ZINC NICKEL	20506



C	REMOVED BOLTS & GASKET		12/4/15		
B	UPDATED TITLE AND RENAMED		8/25/14		
A	ADDED DIMENSION		10/26/06	SAC-1	SEE TABLE
REV.	DESCRIPTION	ECN	DATE	PART NO.	MATERIAL
TOLERANCES (UNLESS OTHERWISE SPECIFIED)					
DECIMAL	FRACTIONAL	ANGULAR	FINISH	TITLE	
.XX = ± .010	± 1/64	± 30'	63	STATIC ADAPTOR	
.XXX = ± .005				STEEL, FEMALE NPT	
<small>1915 WEST BARKLEY RD DEERVA, OR 97117</small> <b>NOSHOK</b> <small>MANUFACTURING INC.</small>		<small>THE COPYRIGHT OF THIS DRAWING IS THE PROPERTY OF NOSHOK MANUFACTURING INC. THIS DRAWING IS SUPPLIED IN CONFIDENCE AND MAY NOT BE USED FOR ANY OTHER PURPOSE OTHER THAN FOR WHICH IT IS SUPPLIED</small>		APPRV: ML	REV: C
		CHK: ML	DATE: 6/2/06	DRAWING NUMBER	
		DRN: DM	SCALE: 1:1	20509	