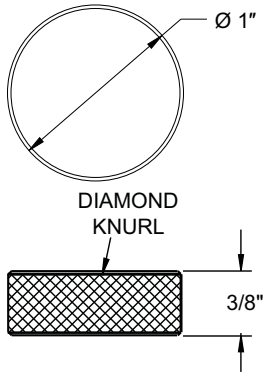


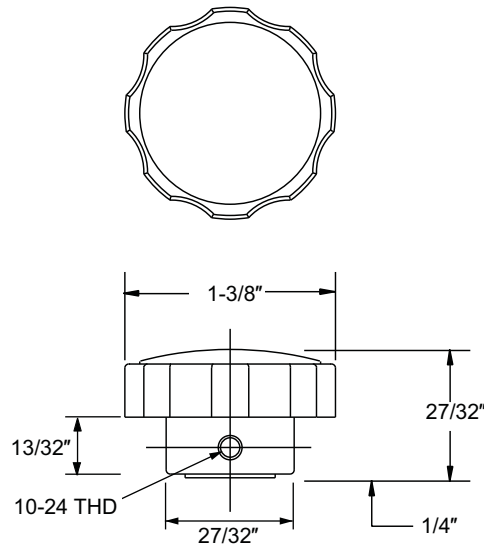
Needle Valve Options

Knurled Handle HL3



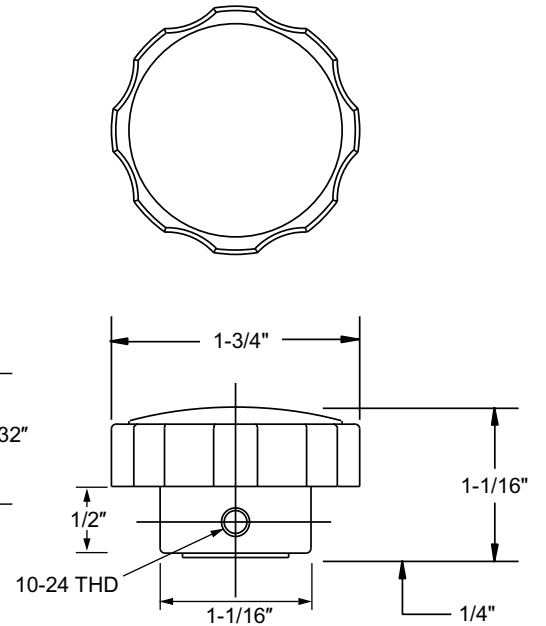
PART NUMBER	MATERIAL
HL3-CS1-ZN1	Steel
HL3-SS1-EP	Stainless steel
HL3-BR1	Brass

Phenolic Handle HL4



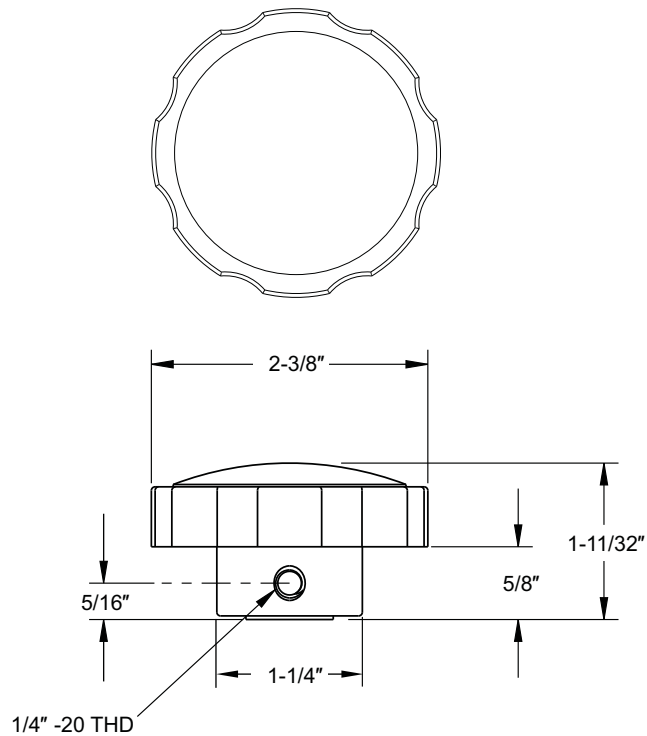
PART NUMBER	MATERIAL
HL4-PH1	Phenolic

Phenolic Handle HL5



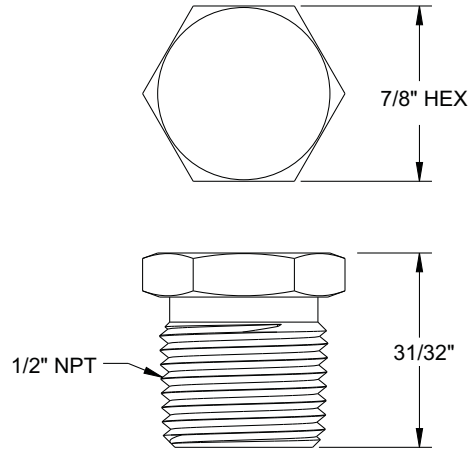
PART NUMBER	MATERIAL
HL5-PH1	Phenolic

Phenolic Handle HL9

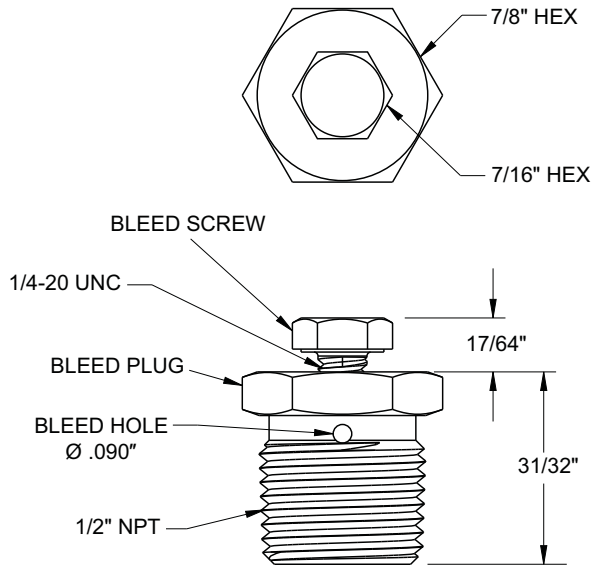


PART NUMBER	MATERIAL
HL9-PH1	Phenolic

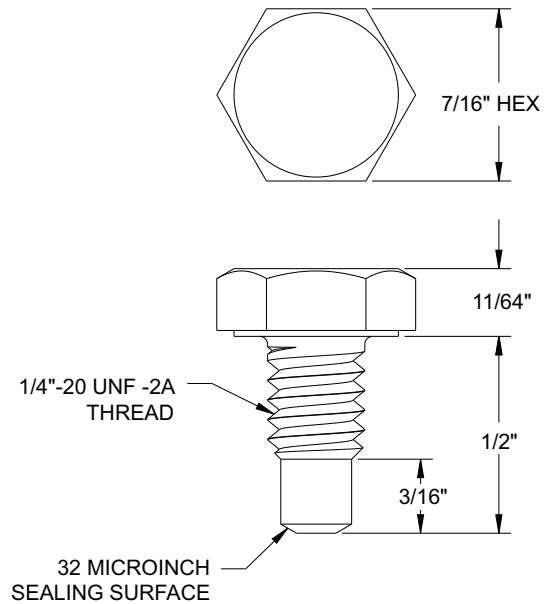
Plug



Bleed Plug

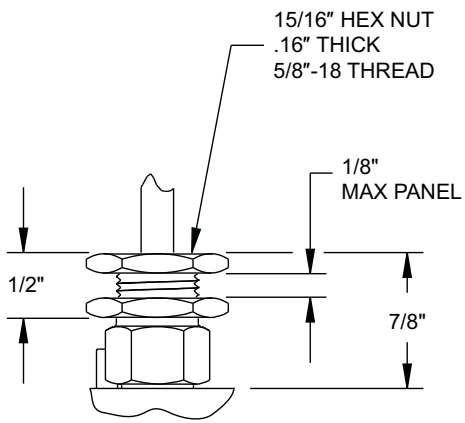


Bleed Screw

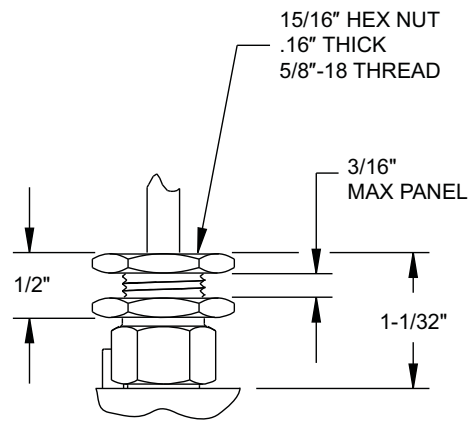


Needle Valve Options

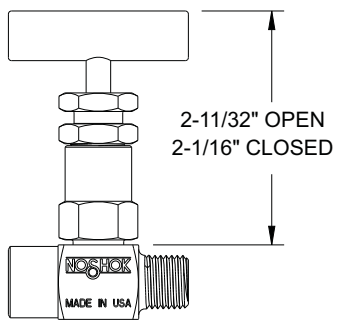
Panel Mount Detail, Mini Valves



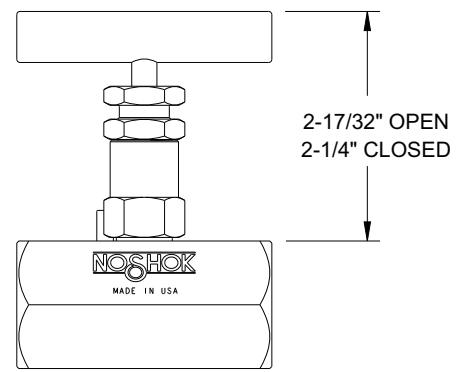
Panel Mount Detail, Needle Valves



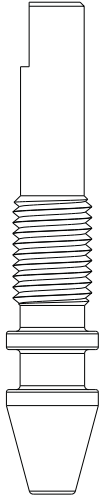
Packing, Mini Valves



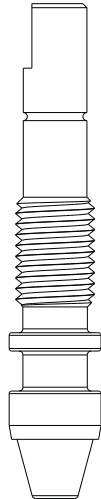
Packing, Needle Valves



Stem Tip Options



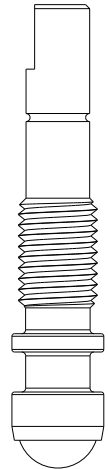
STANDARD
CONE TIP



NON-ROTATING
CONE TIP



NON-ROTATING
REGULATING TIP



NON-ROTATING
BALL TIP

NOTE: A non-rotating tip (ball) can rotate independently of the stem. The term non-rotating describes the motion of the tip (ball) in relation to a rotating stem. As the stem rotates to close a valve, the tip (ball) stops rotating when it makes contact with the sealing orifice of the body.