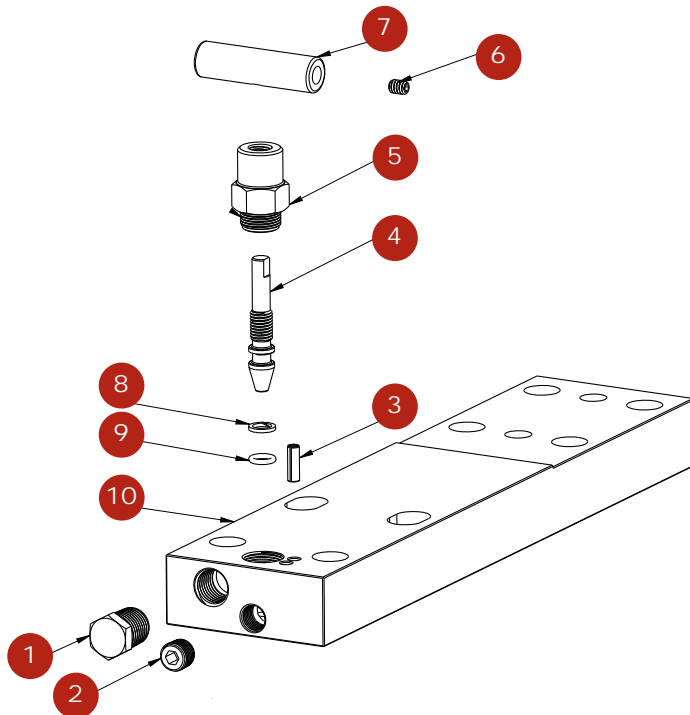
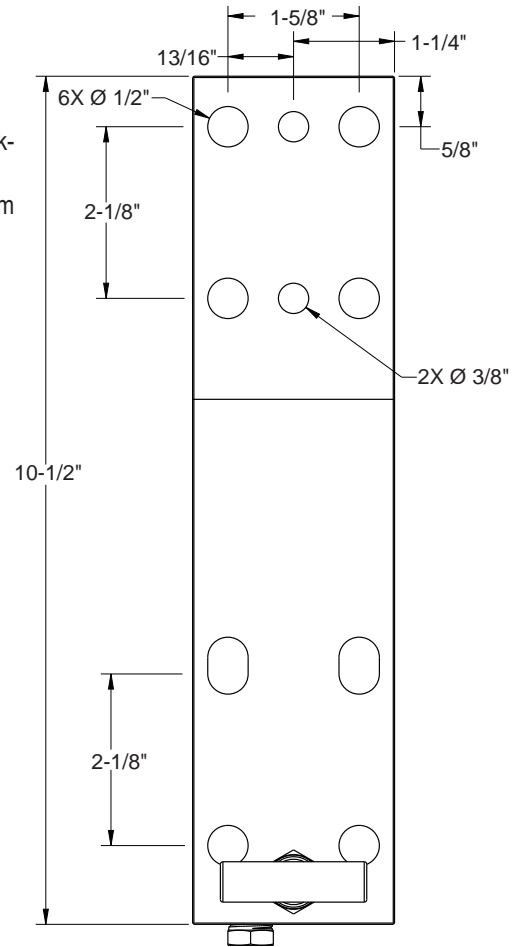
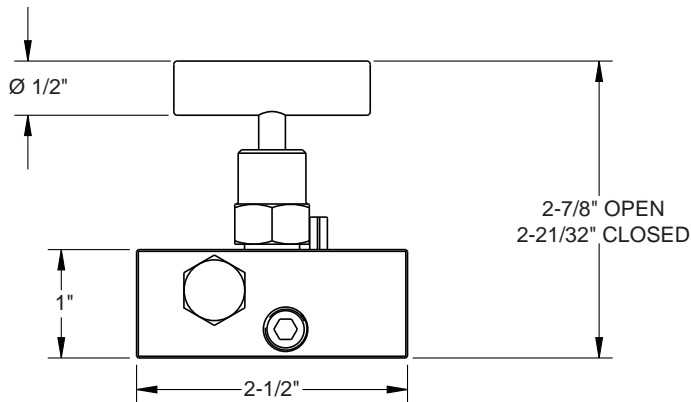


Δ PRESSURE TO STATIC PLATE

Used on gas pipelines, the differential pressure to static adapter plate is used to mount a differential pressure transmitter and a static pressure transmitter to a five valve flange-manifold. They are available in zinc-nickel plated steel, electropolished stainless steel. An integral mini style bleed valve is incorporated in the plate and a 1/4" NPT vent plug is provided. The mini style bleed valve is equipped with a FKM o-ring and PTFE back-up ring below the stem threads to protect against corrosion and galling. Stem threads are rolled for greater strength and ease of operation and all NOSHOK valves are 100% helium leak tested for guaranteed reliability. Maximum pressure rating of 10,000 psi for steel & stainless models.



- 1 1/4" NPT hex head pipe plug
- 2 1/8" NPT socket head plug
- 3 Slotted spring pin
- 4 Mini valve stem
- 5 Mini valve bonnet
- 6 Set screw
- 7 Mini valve "T" handle
- 8 PTFE back-up ring
- 9 FKM o-ring
- 10 Differential pressure to static adapter body